

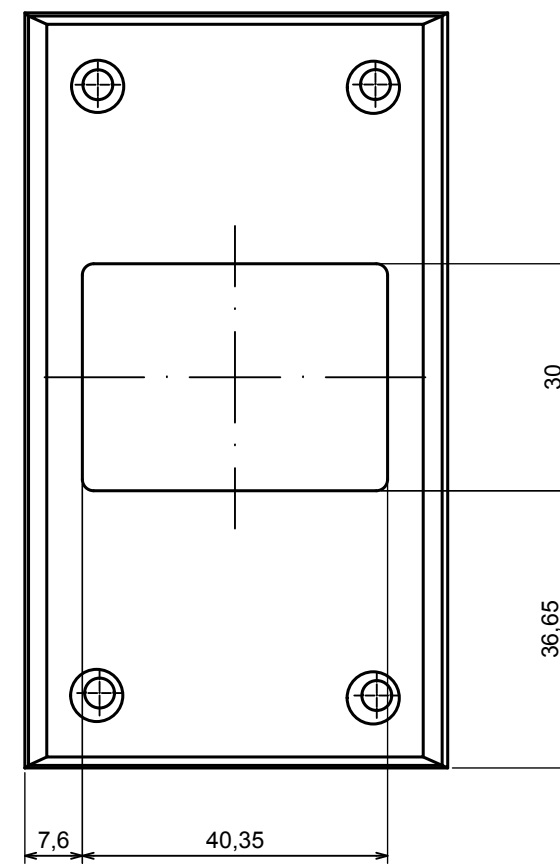
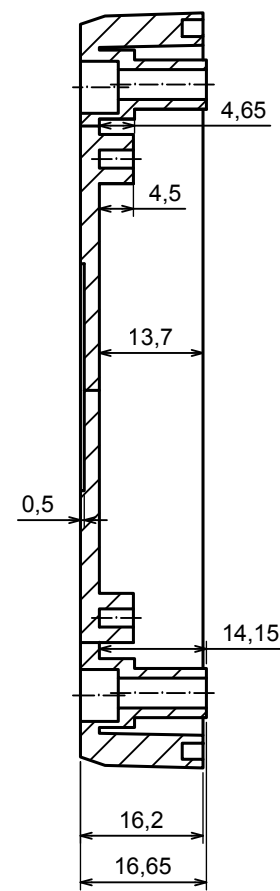
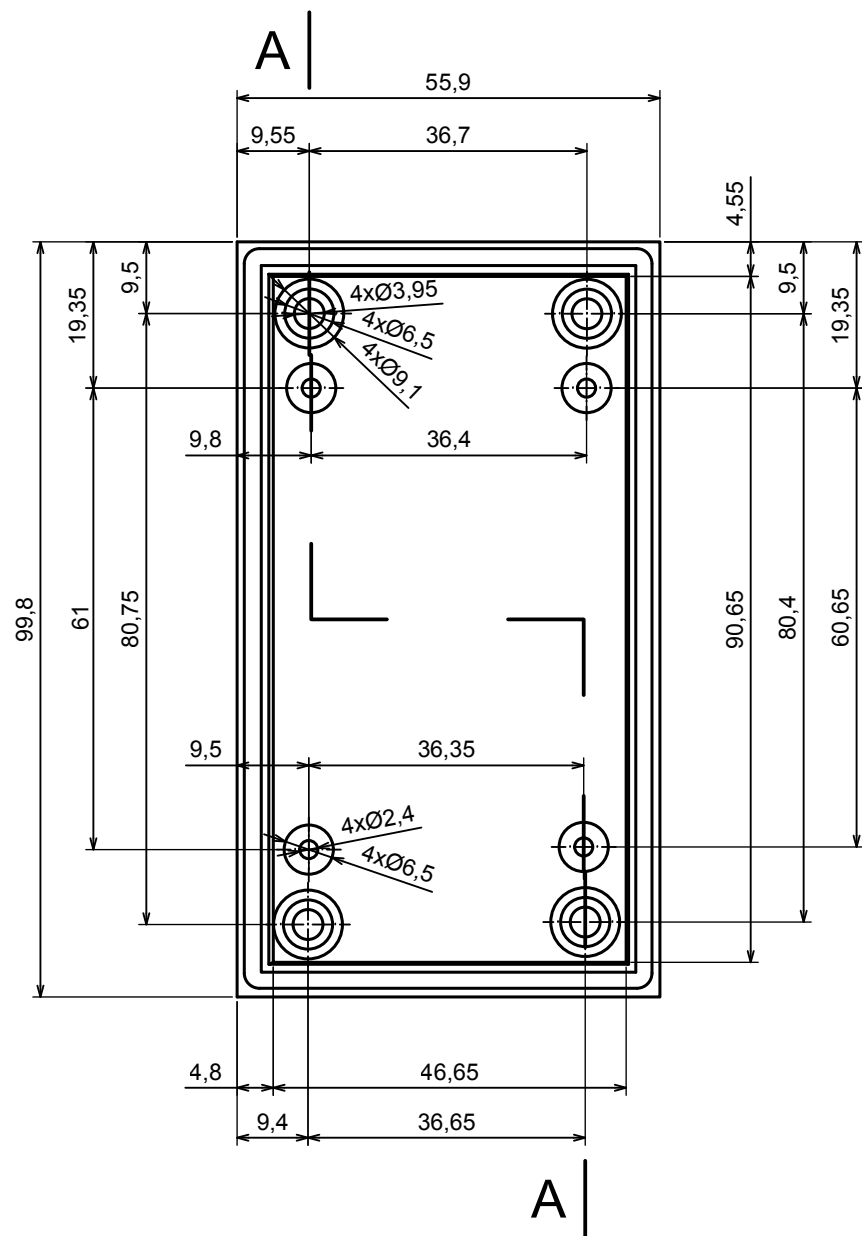
All rights reserved, Copyright Kradex 2016

Product model Enclosure Z45W - assembly

Format: A3 Material: PS, ABS

Scale 1:1 Tolerance: +/- 0.8





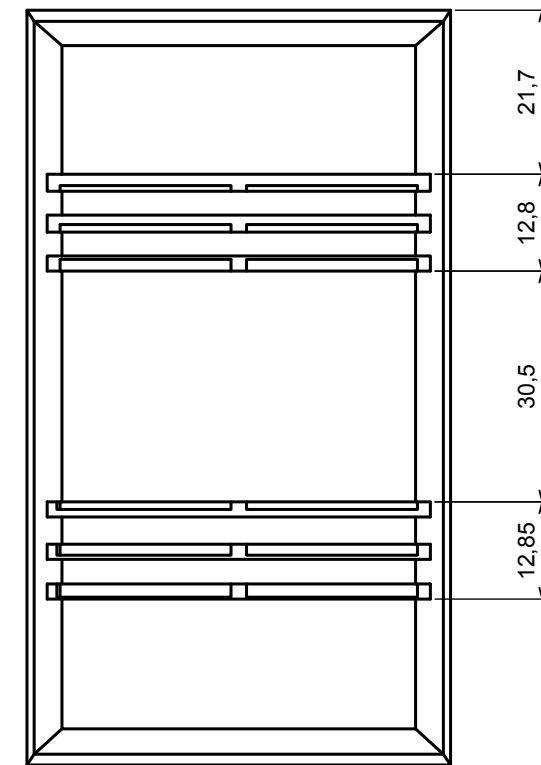
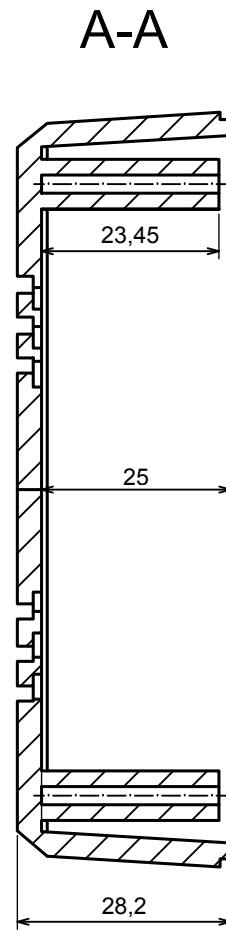
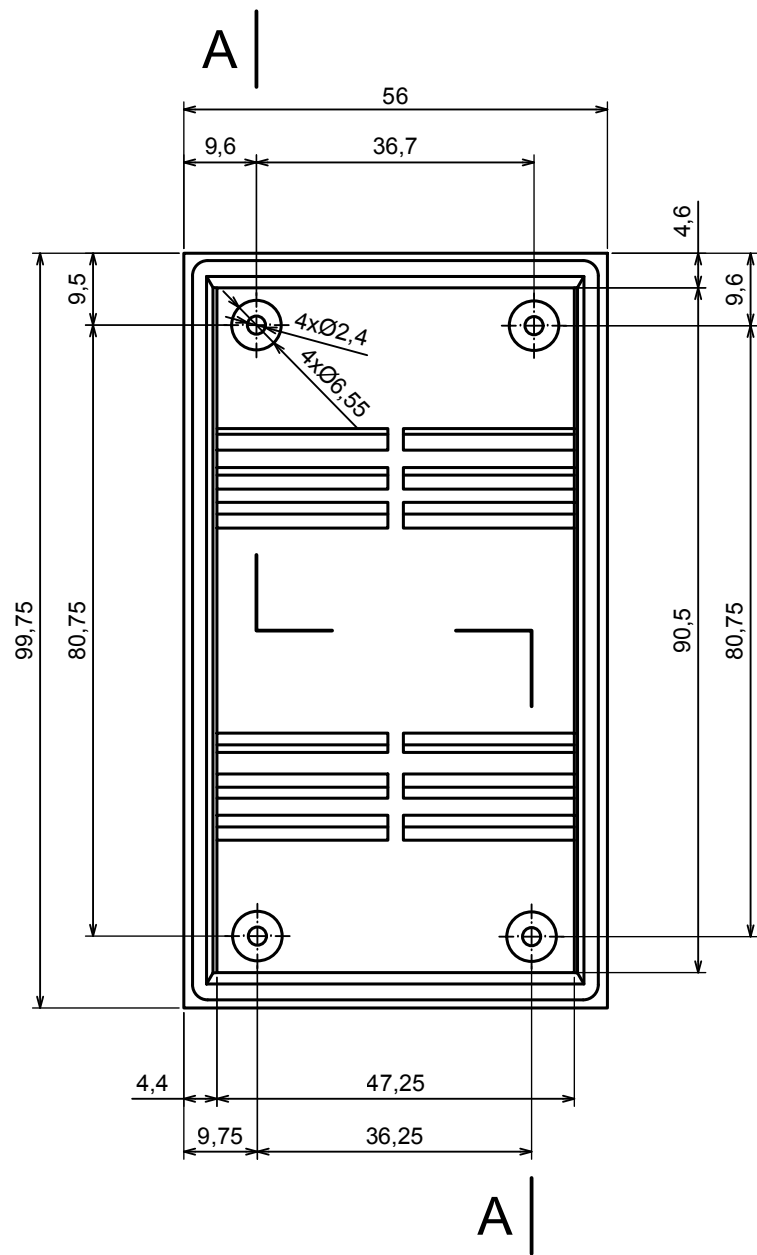
All rights reserved, Copyright Kradox 2016

Product model: Enclosure Z45W - base

Format: A3 Material: PS, ABS

Scale 1:1 Tolerance: +/- 0.8





All rights reserved, Copyright Kradox 2016

Product model Enclosure Z45W - cover

Format: A3 Material: PS, ABS

Scale 1:1 Tolerance: +/- 0.8

