
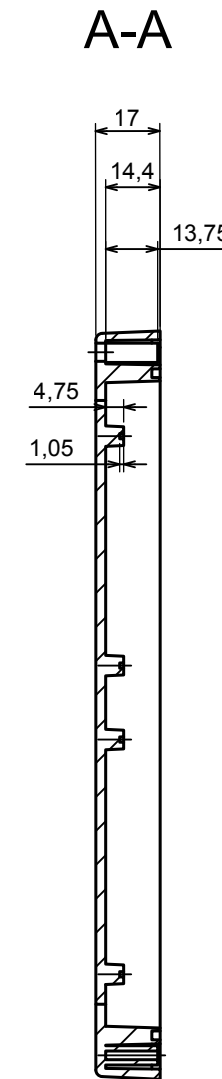
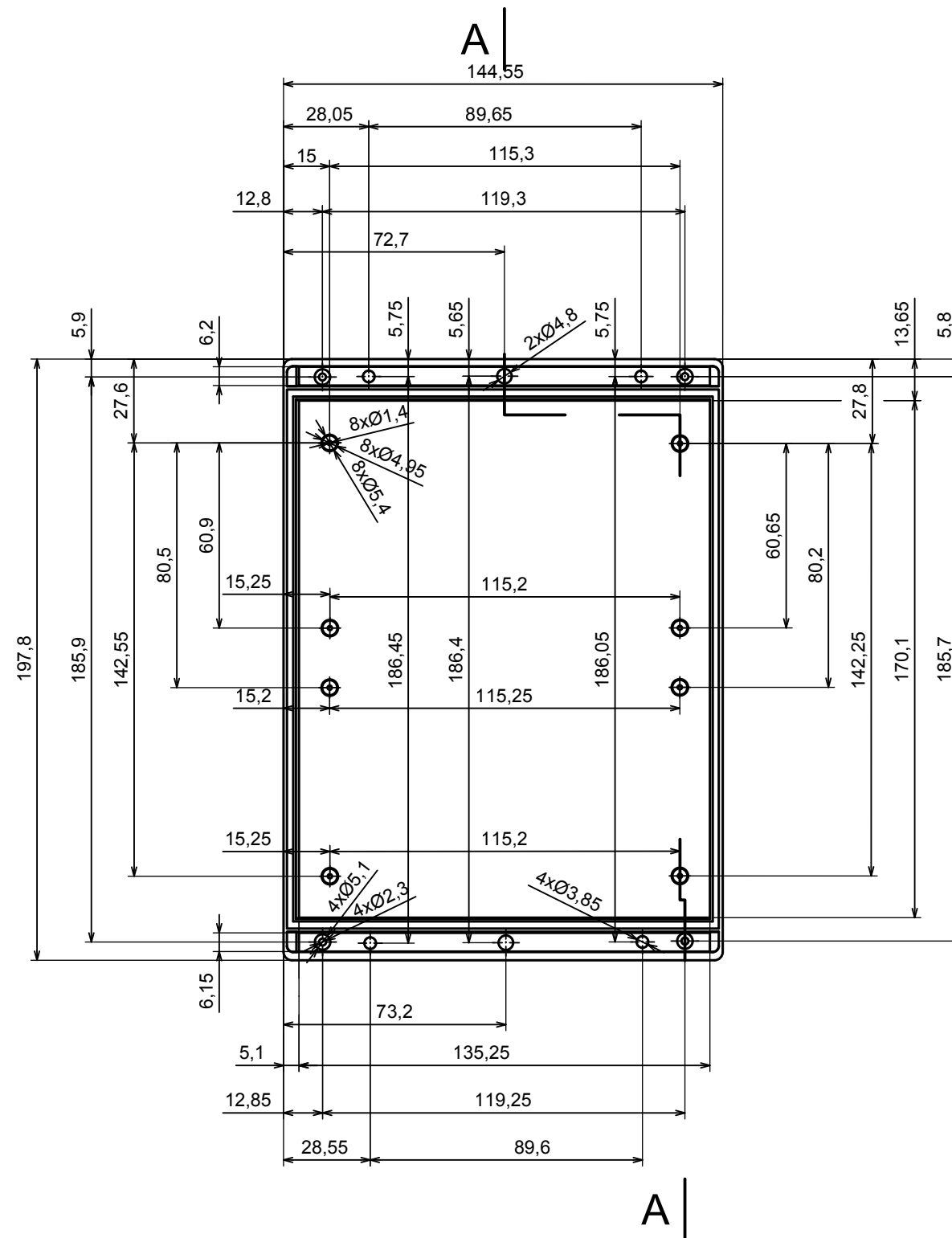


All rights reserved, Copyright Kradox 2016		
Product model	Enclosure Z46A - assembly	
Format: A3	Material: PS, ABS	
Scale 1:2	Tolerance: +/- 0.8	



All rights reserved, Copyright Kradox 2016

Product model Enclosure Z46A - base

Format: A3 Material: PS, ABS

Scale 1:2 Tolerance: +/- 0.8



