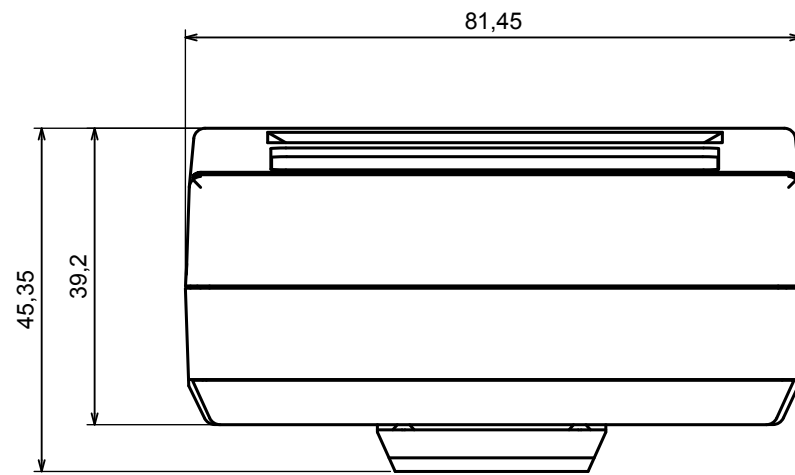
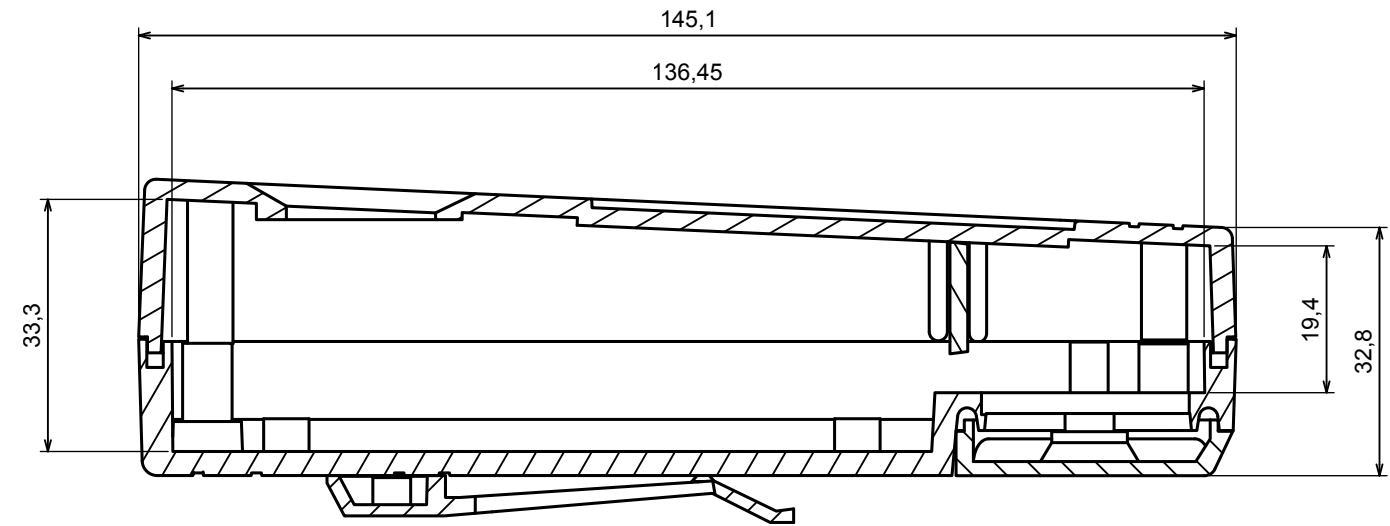


A |



A |

A-A



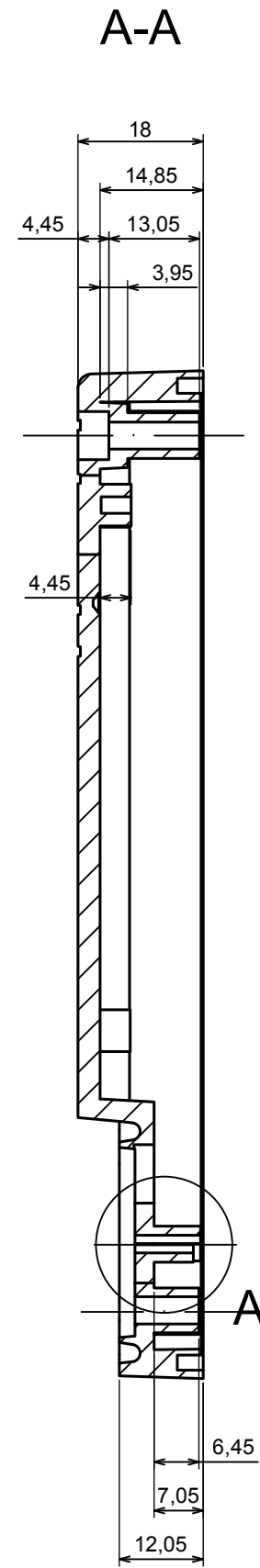
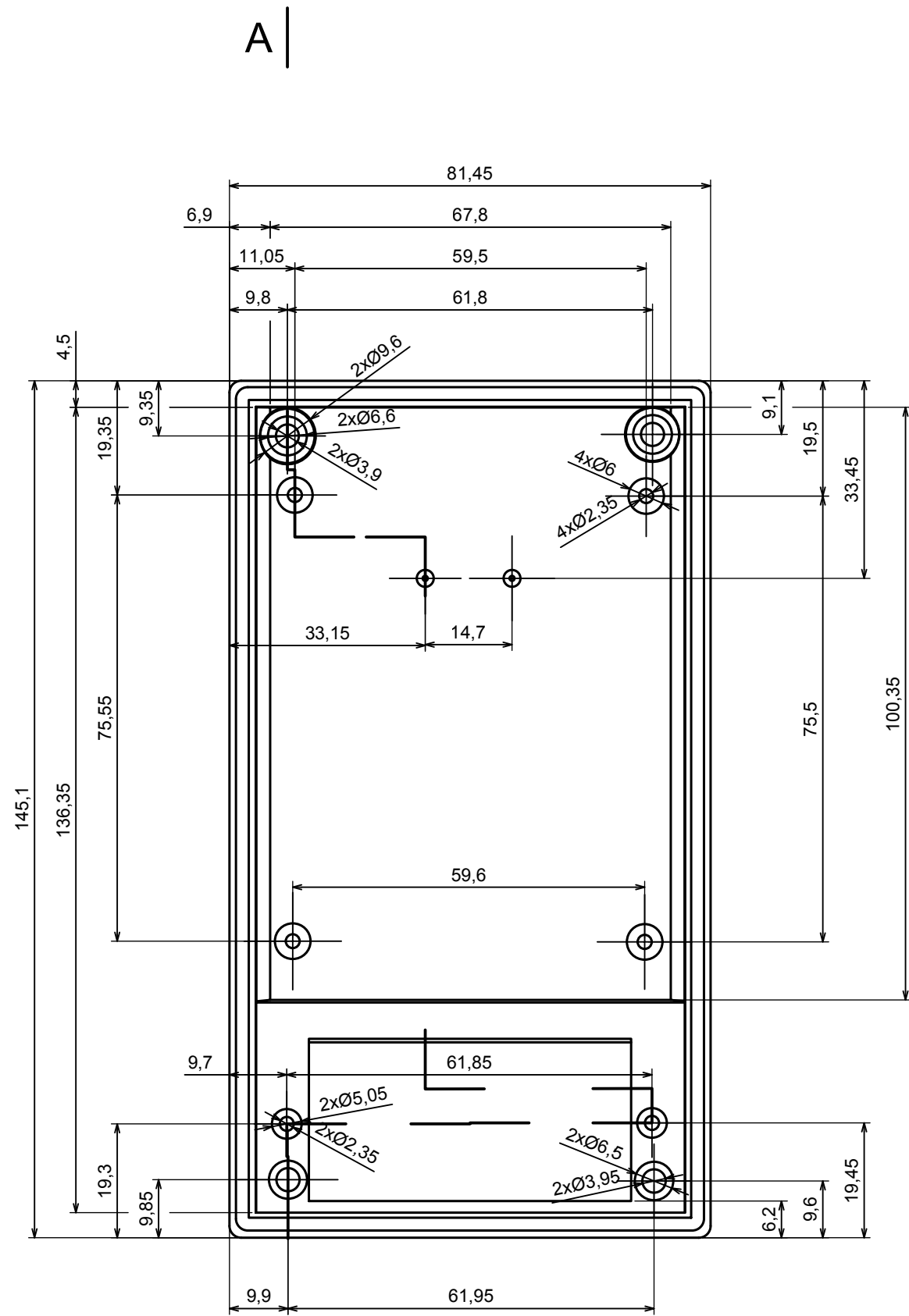
All rights reserved, Copyright Kradex 2016

Product model Enclosure Z49 - Assembly

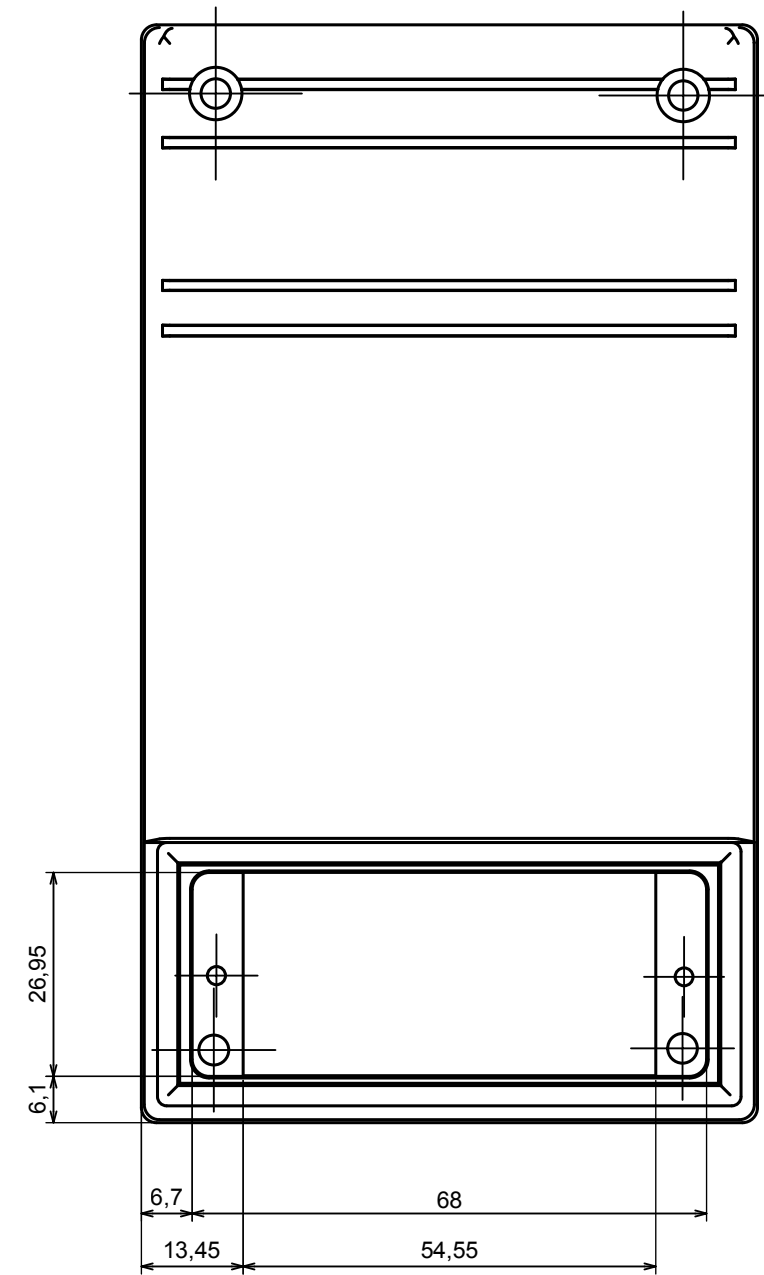
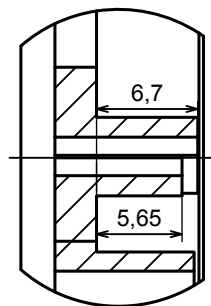
Format: A3 Material: PS, ABS

Scale 1:1 Tolerance: +/- 0.8





A (2:1)



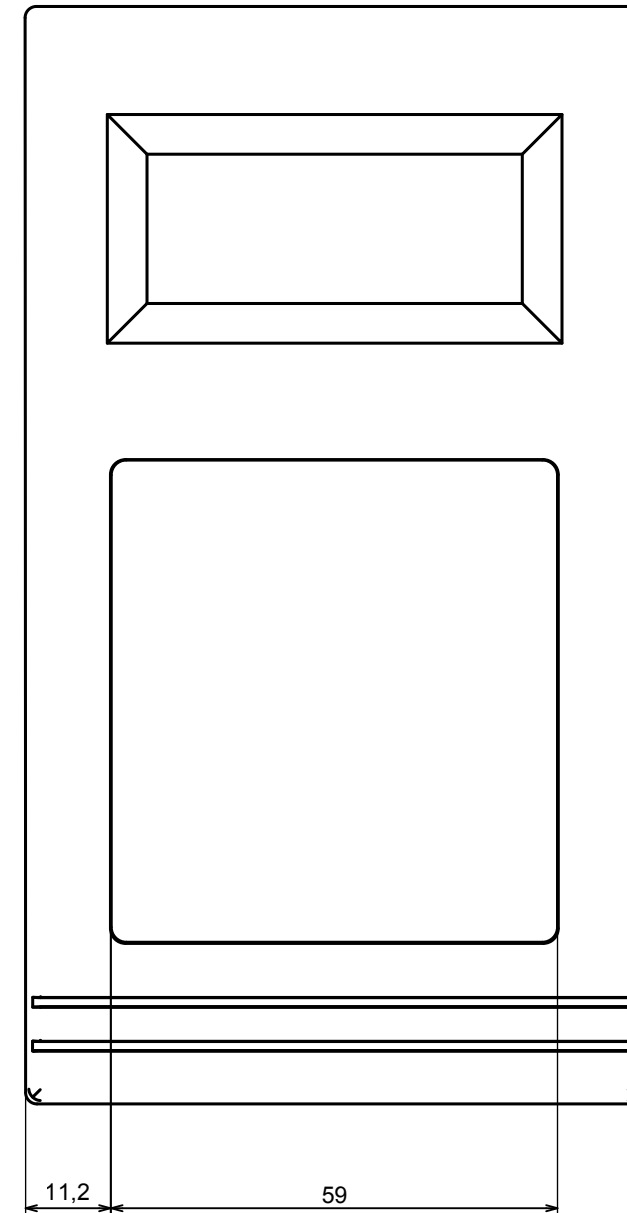
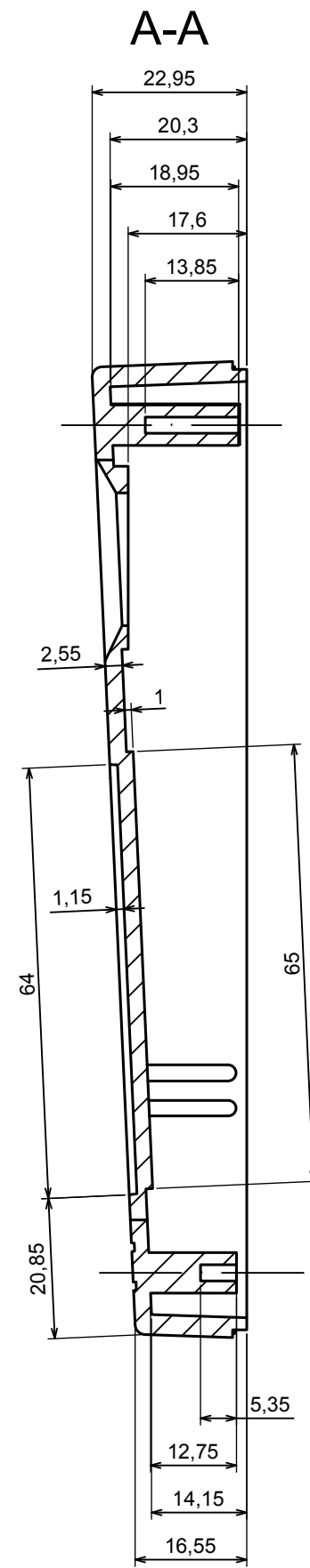
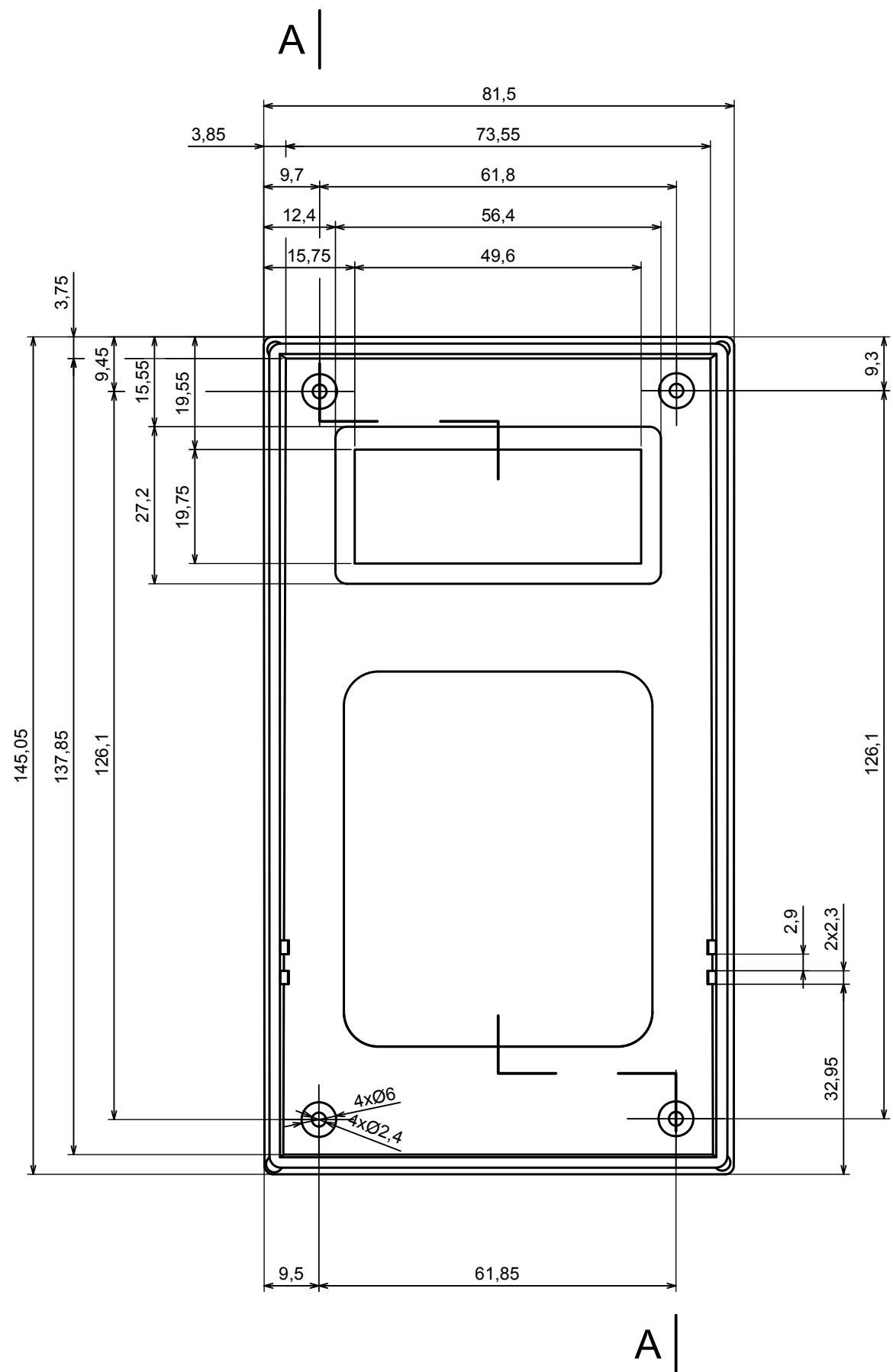
All rights reserved, Copyright Kradox 2016

Product model Enclosure Z49 - Base

Format: A3 Material: PS, ABS

Scale 1:1 Tolerance: +/- 0.8





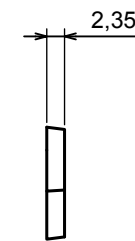
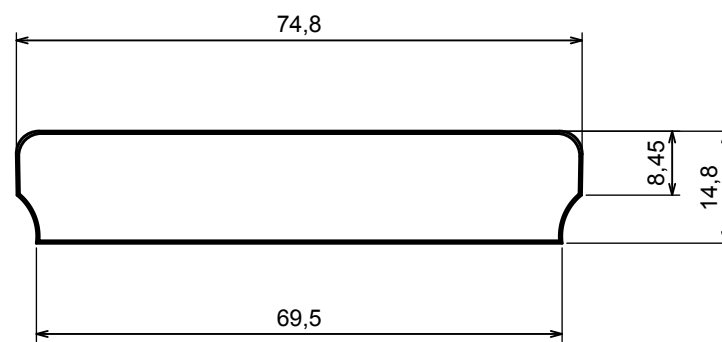
All rights reserved, Copyright Kradox 2016

Product model Enclosure Z49 - cover

Format: A3 Material: PS, ABS

Scale 1:1 Tolerance: +/- 0.8





All rights reserved, Copyright Kradex 2016

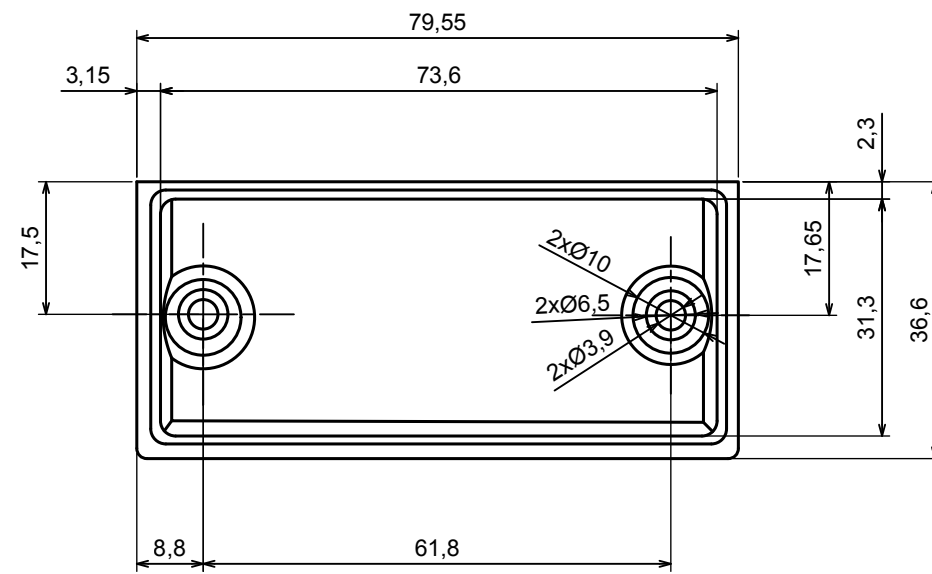
Product model Enclosure Z49 - Board

Format: A3 Material: PS, ABS

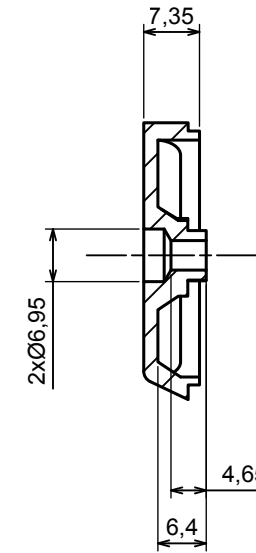
Scale 1:1 Tolerance: +/- 0.8




A |

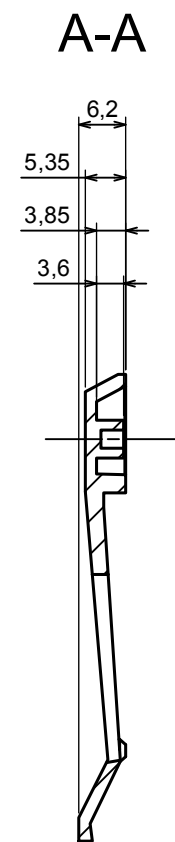
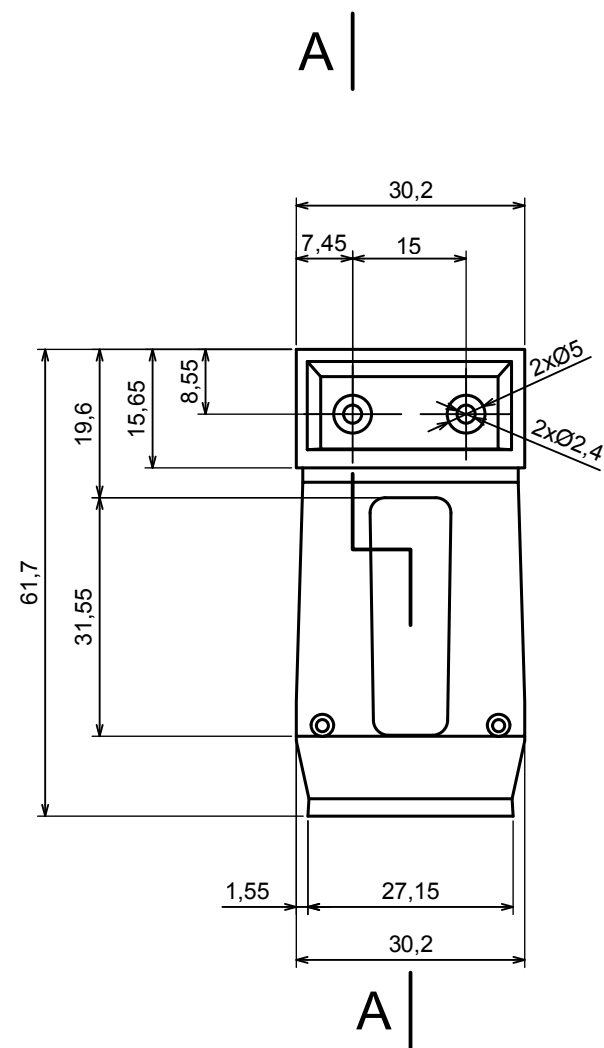



A-A



A |

All rights reserved, Copyright Kradox 2016		
Product model	Enclosure Z49 - Battery cover	
Format: A3	Material: PS, ABS	
Scale 1:1	Tolerance: +/- 0.8	



All rights reserved, Copyright Kradox 2016		
Product model	Enclosure Z49 - Hook	
Format: A3	Material: PS, ABS	
Scale 1:1	Tolerance: +/- 0.8	