
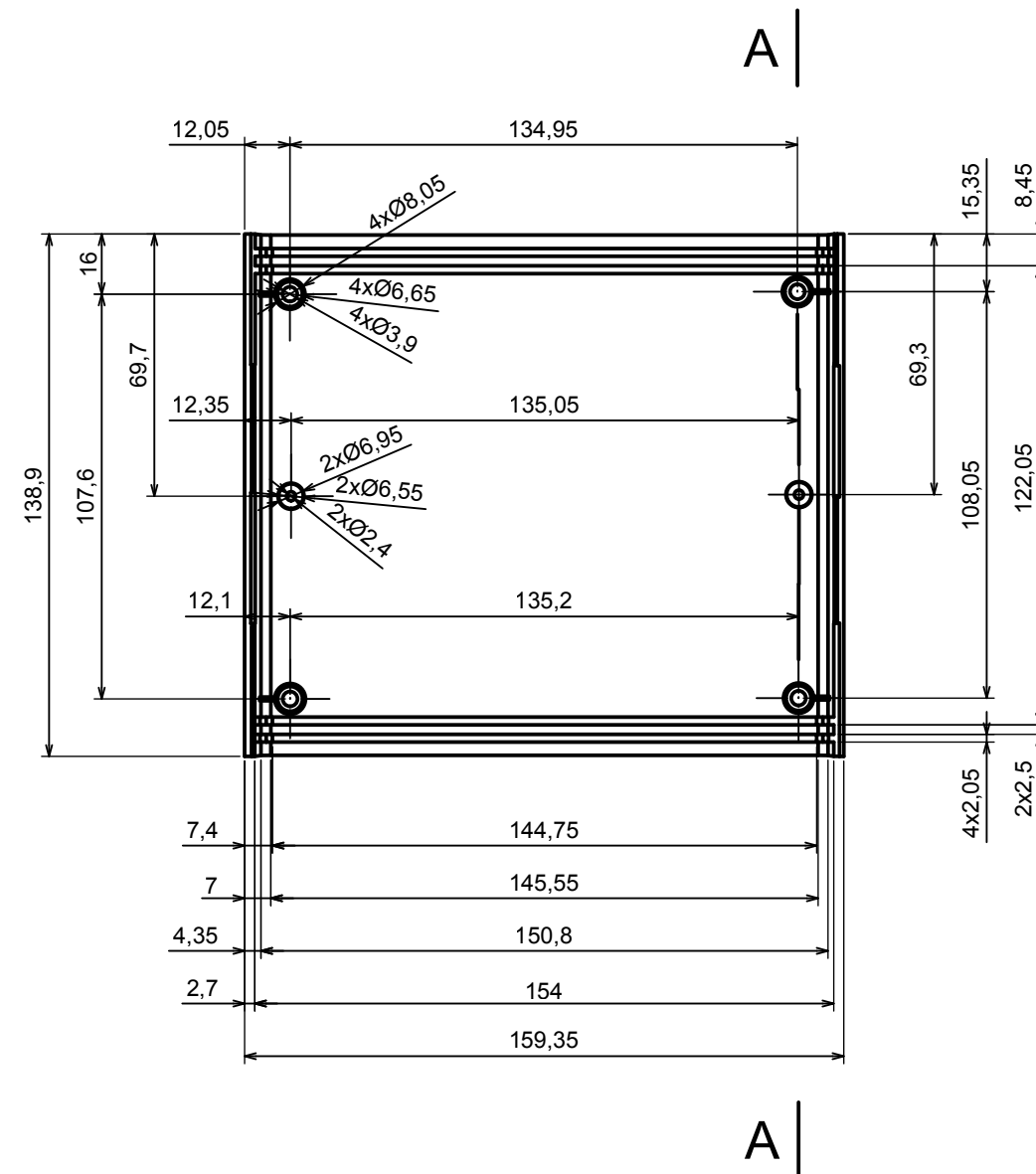
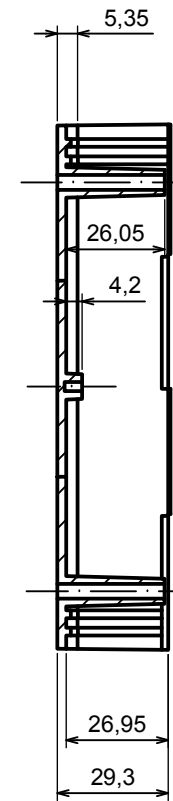


A |

All rights reserved, Copyright Kradex 2017		
Product model	Enclosure Z4A - Assembly	
Format: A3	Material: PS, ABS	
Scale 1:2	Tolerance: +/- 0.8	



A-A



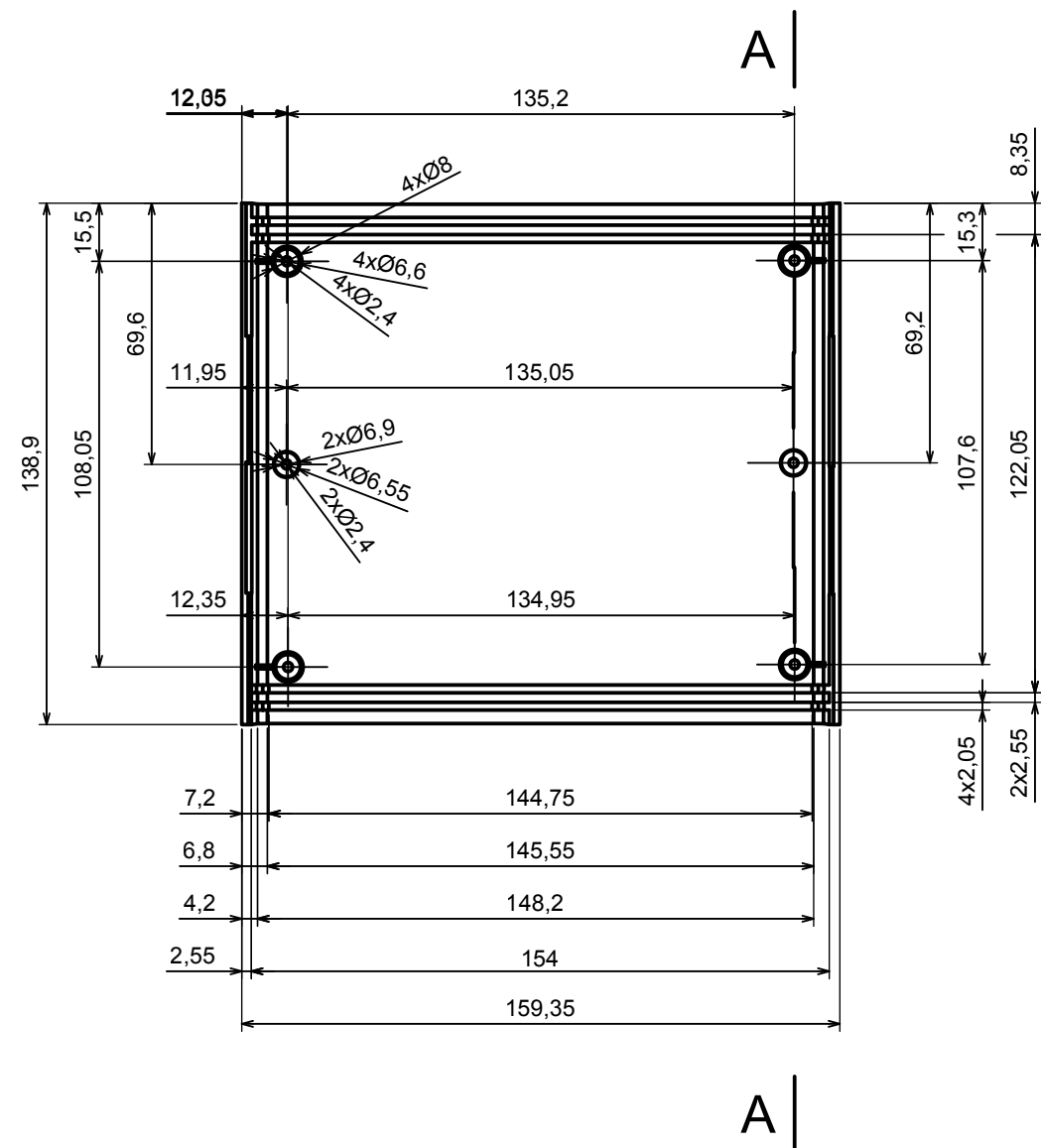
All rights reserved, Copyright Kradex 2017

Product model: Enclosure Z4A - Base

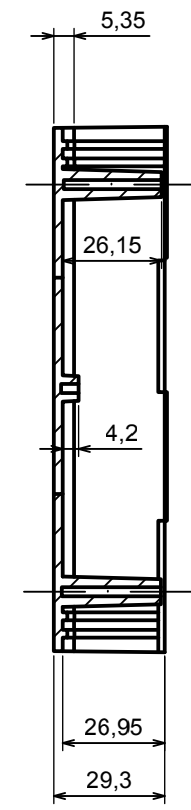
Format: A3 Material: PS, ABS


Scale 1:2 Tolerance: +/- 0.8

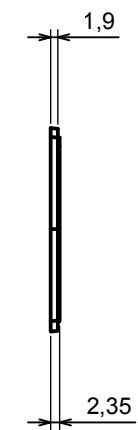
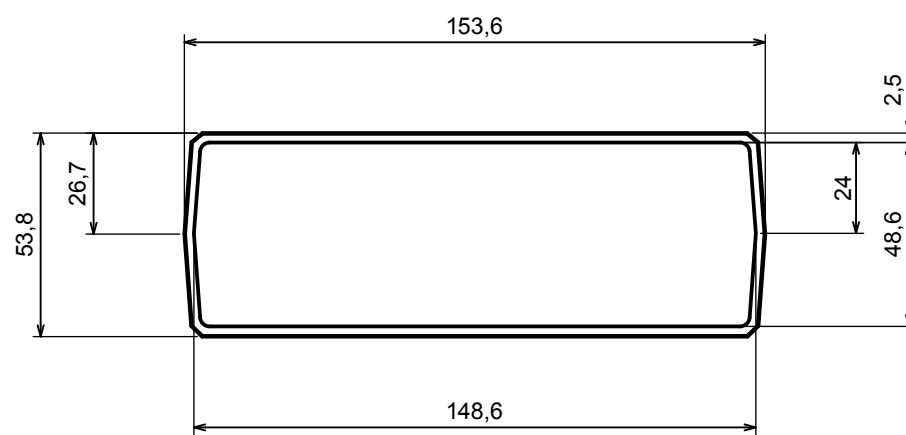





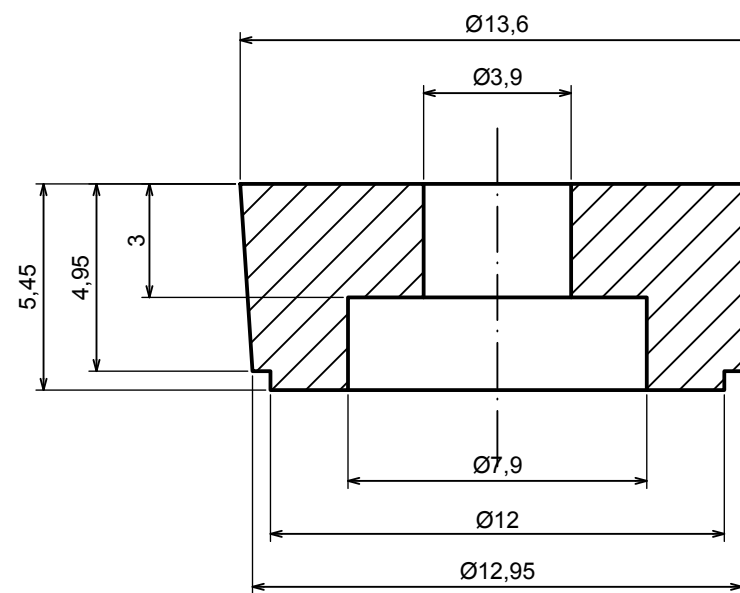
A-A



All rights reserved, Copyright Kradex 2017		
Product model	Enclosure Z4A - Cover	
Format: A3	Material: PS, ABS	
Scale 1:2	Tolerance: +/- 0.8	



All rights reserved, Copyright Kradox 2017		
Product model	Enclosure Z4A - Board	
Format: A3	Material: PS, ABS	
Scale 1:2	Tolerance: +/- 0.8	



All rights reserved, Copyright Kradex 2017

Product model: Enclosure Z4A - Foot

Format: A3 Material: PS, ABS

Scale 5:1 Tolerance: +/- 0.8

