

All rights reserved, Copyright Kradox 2016

Product model Enclosure Z54 - assembly

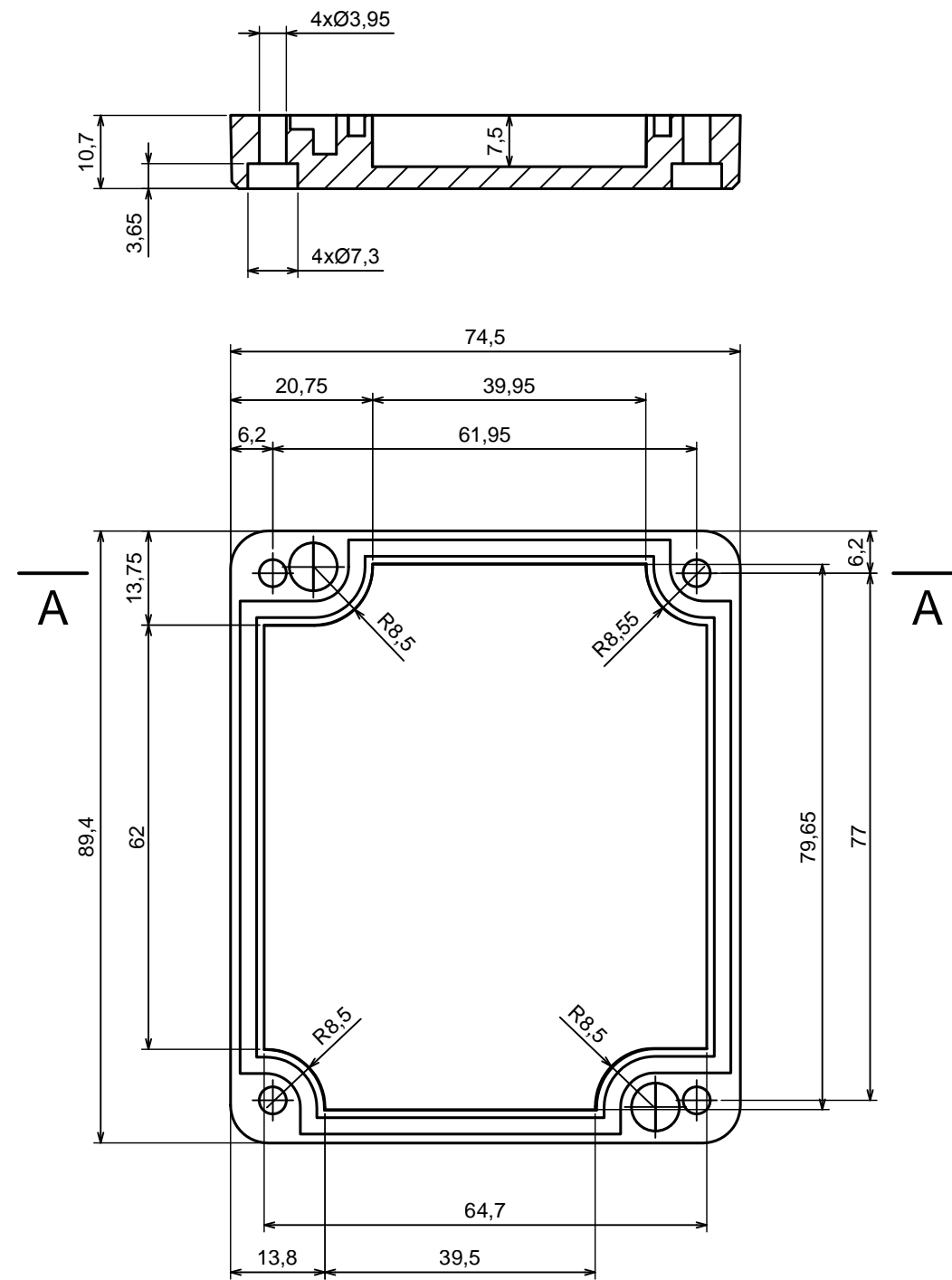
Format: A3 Material: PS, ABS

Scale 1:1 Tolerance: +/- 0.2





A-A



All rights reserved, Copyright Kradox 2016

Product model Enclosure Z54 - cover

Format: A3 Material: PS, ABS

Scale 1:1 Tolerance: +/- 0.2

