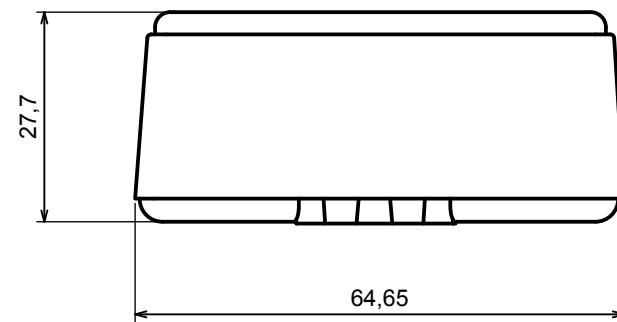
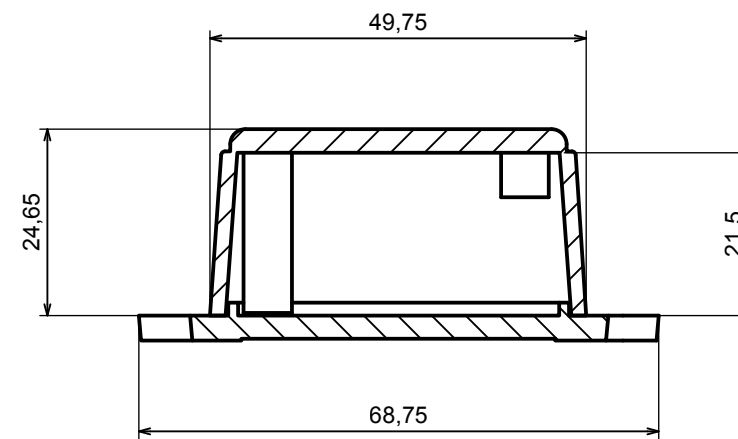


A |



A |

A-A



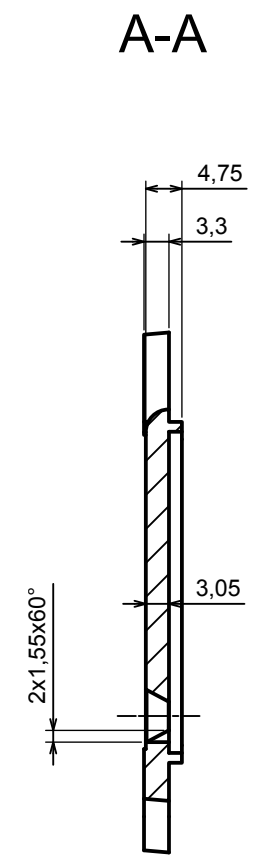
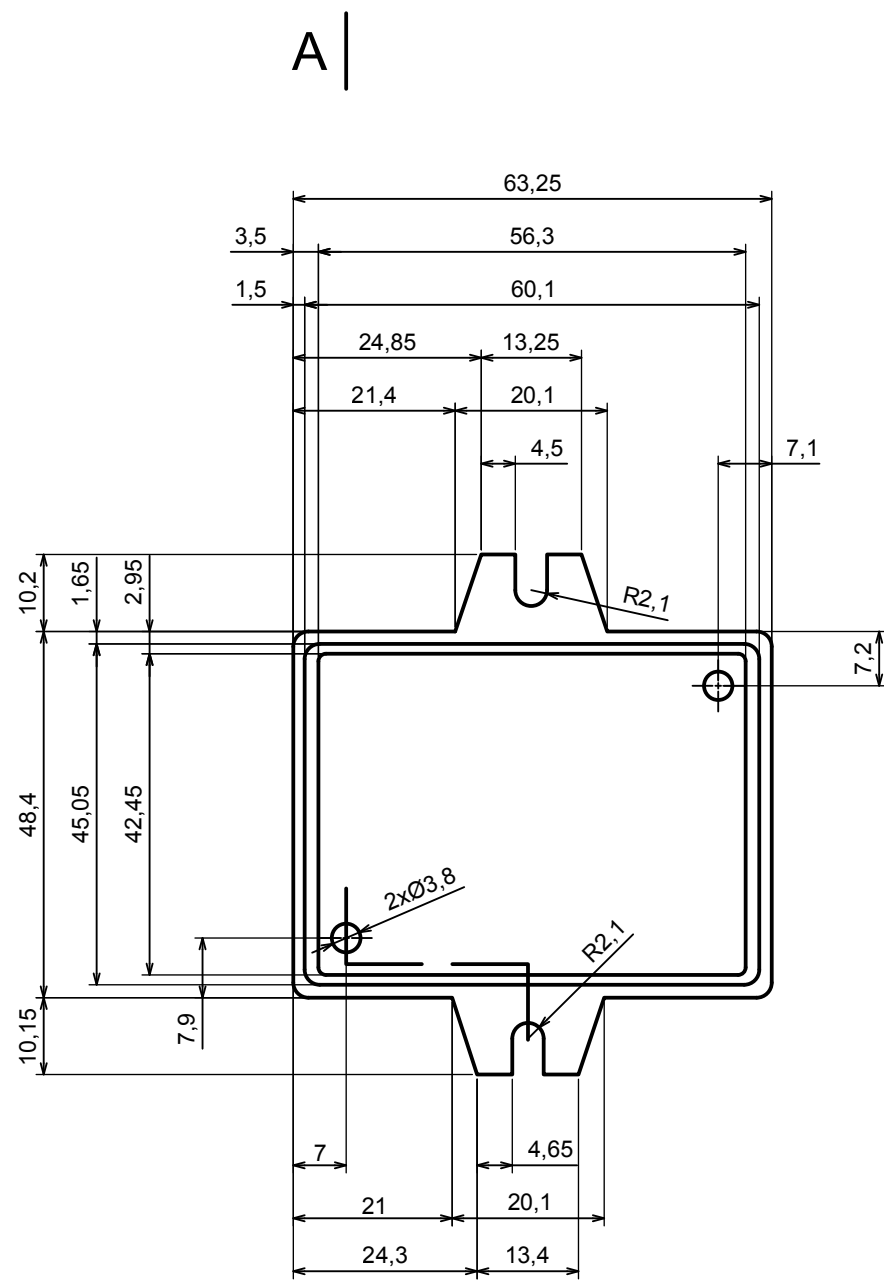
All rights reserved, Copyright Kradox 2017

Product model Enclosure Z68U - Assembly


Format: A3 Material: PS, ABS

Scale 1:1 Tolerance: +/- 0.5

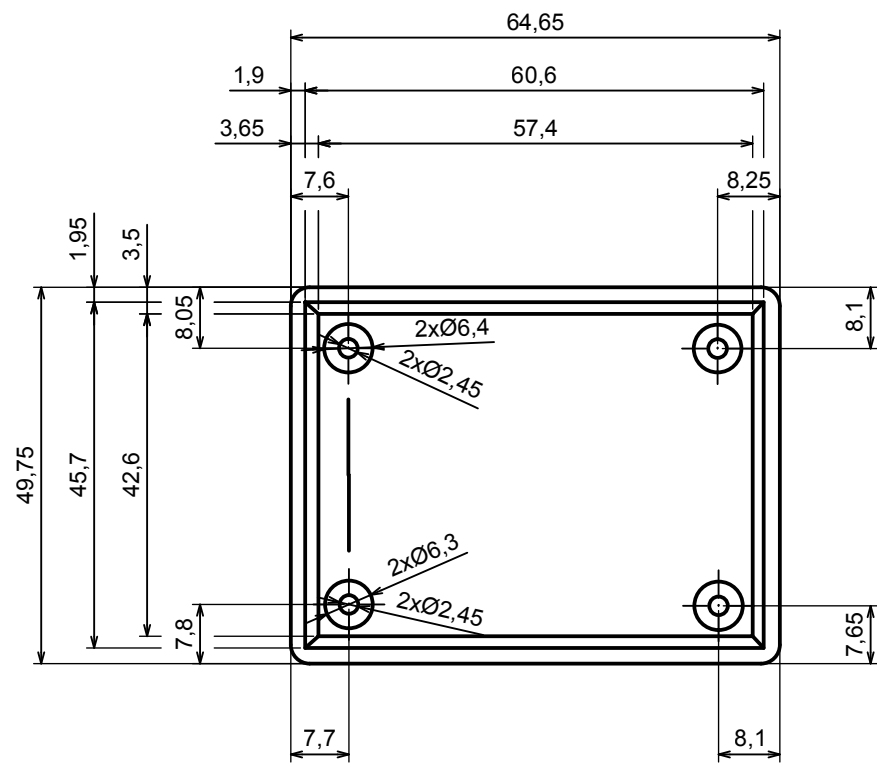




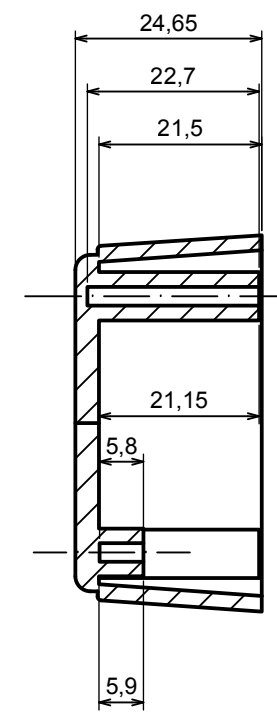
A |

All rights reserved, Copyright Kradox 2017		
Product model	Enclosure Z68U - Base	
Format: A3	Material: PS, ABS	
Scale 1:1	Tolerance: +/- 0.5	


A |



A-A



A |

All rights reserved, Copyright Kradox 2017		
Product model	Enclosure Z68U - Cover	
Format: A3	Material: PS, ABS	
Scale 1:1	Tolerance: +/- 0.5	