
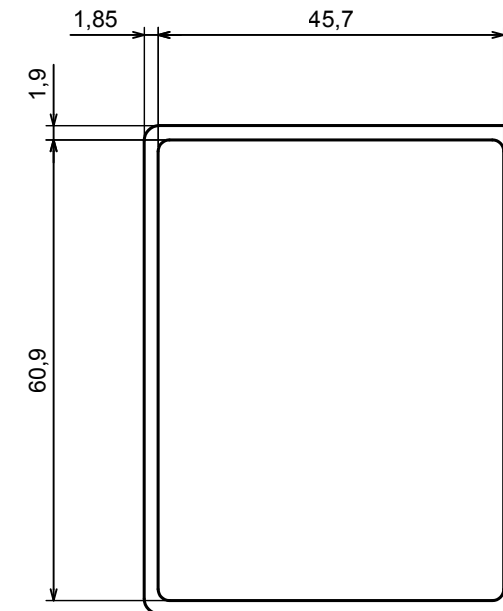
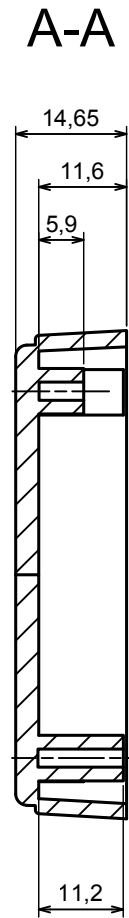
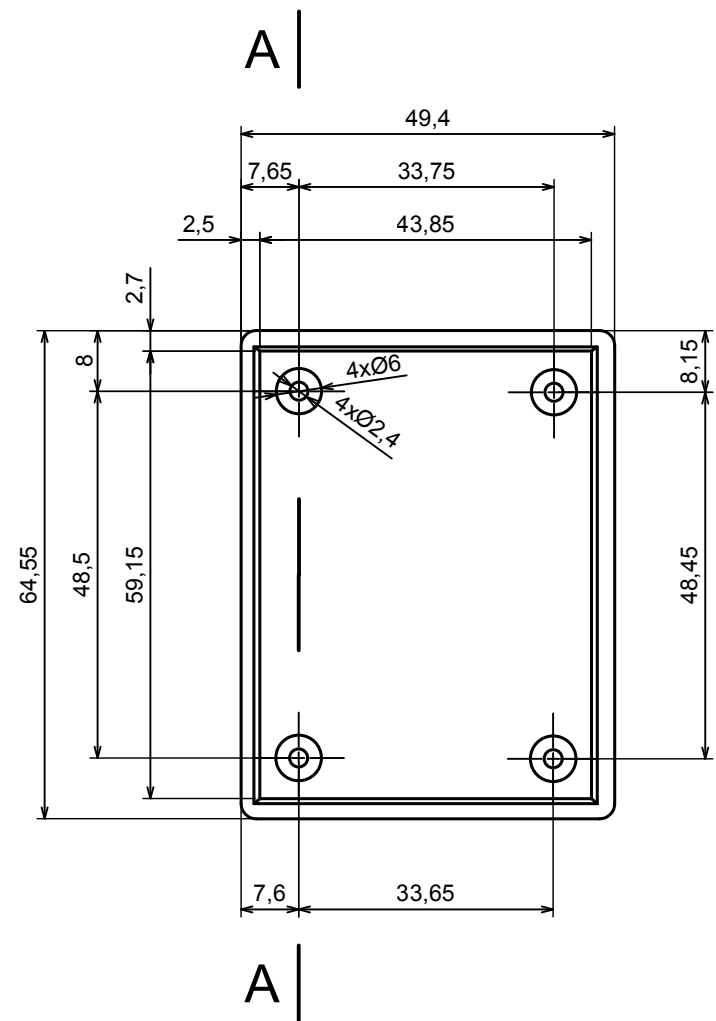


All rights reserved, Copyright Kradox 2017		
Product model	Enclosure Z69 - Assembly	
Format: A3	Material: PS, ABS	
Scale 1:1	Tolerance: +/- 0.6	



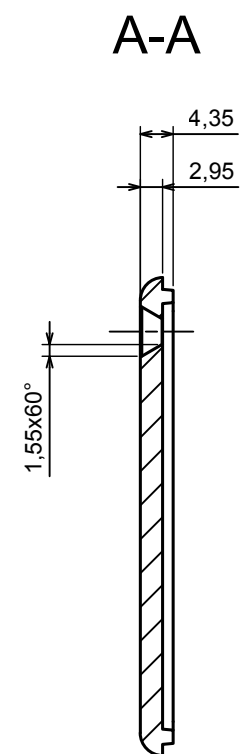
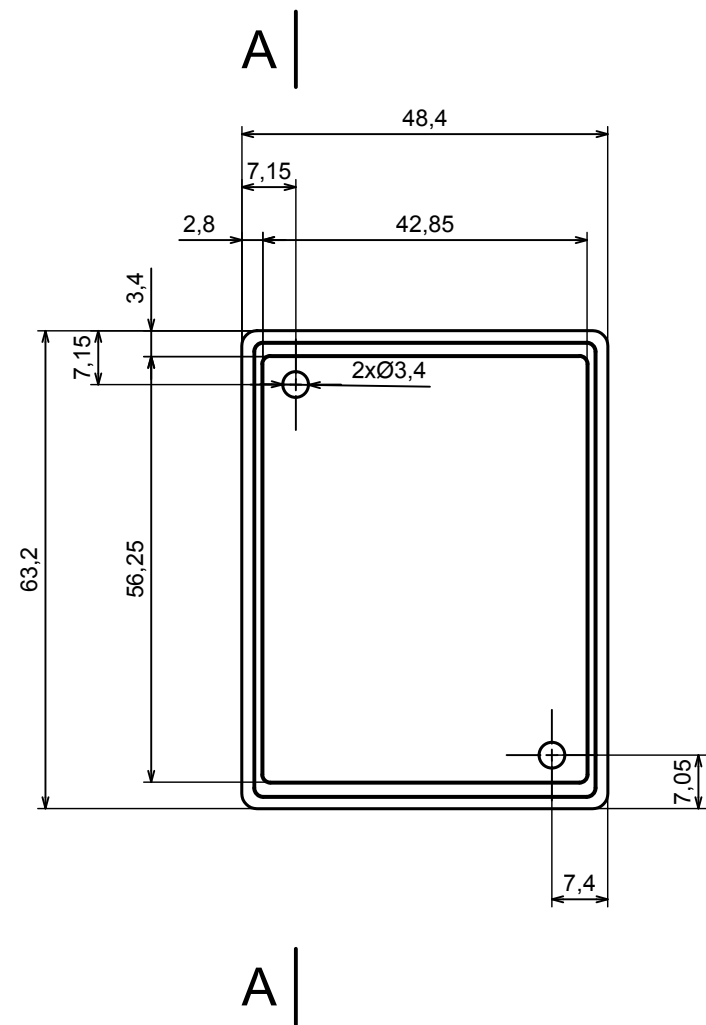
All rights reserved, Copyright Kradox 2017


Product model: Enclosure Z69 - Base

Format: A3 Material: PS, ABS

Scale 1:1 Tolerance: +/- 0.6





All rights reserved, Copyright Kradex 2017		
Product model	Enclosure Z69 - Cover	
Format: A3	Material: PS, ABS	
Scale 1:1	Tolerance: +/- 0.6	