
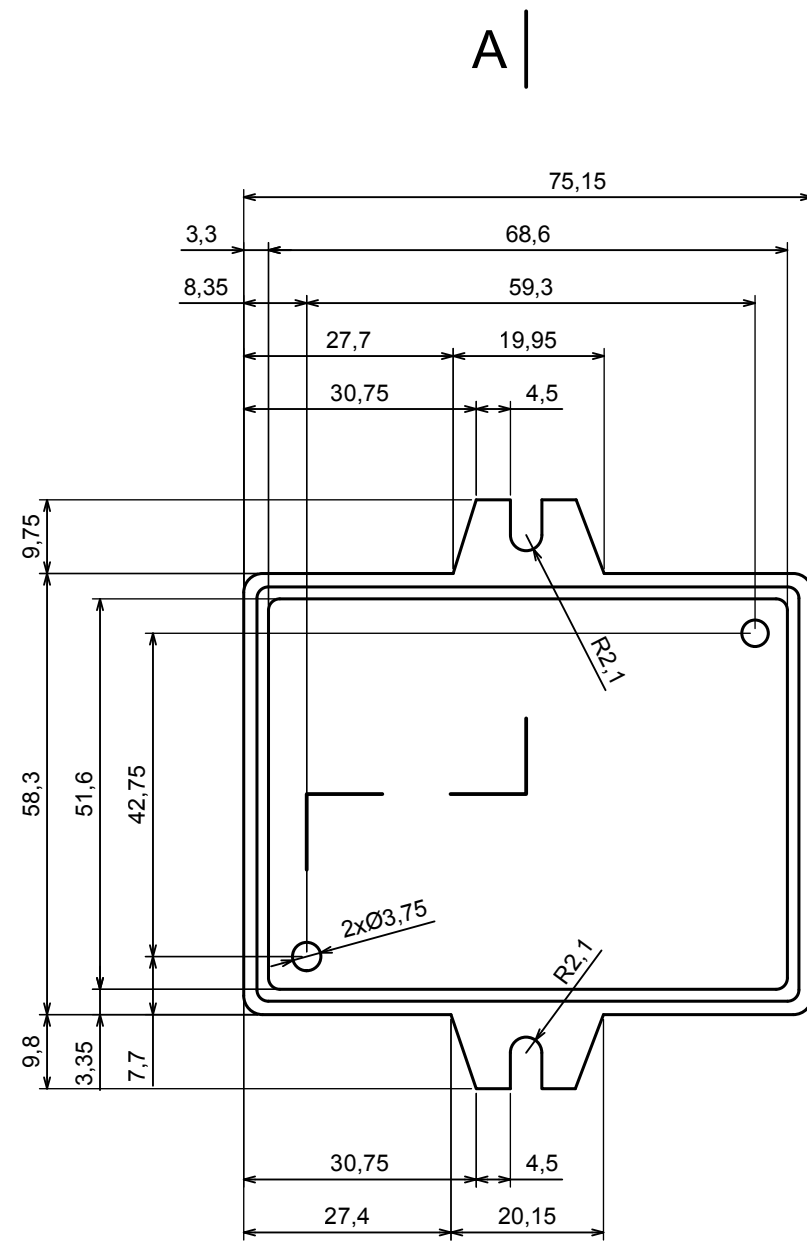
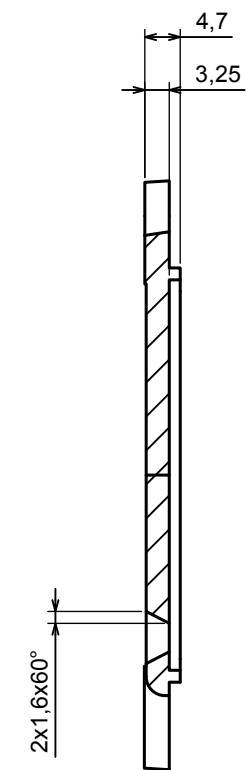


All rights reserved, Copyright Kradox 2016		
Product model	Enclosure Z70U - assembly	
Format: A3	Material: PS, ABS	
Scale 2:1	Tolerance: +/- 0.8	



A |

A-A



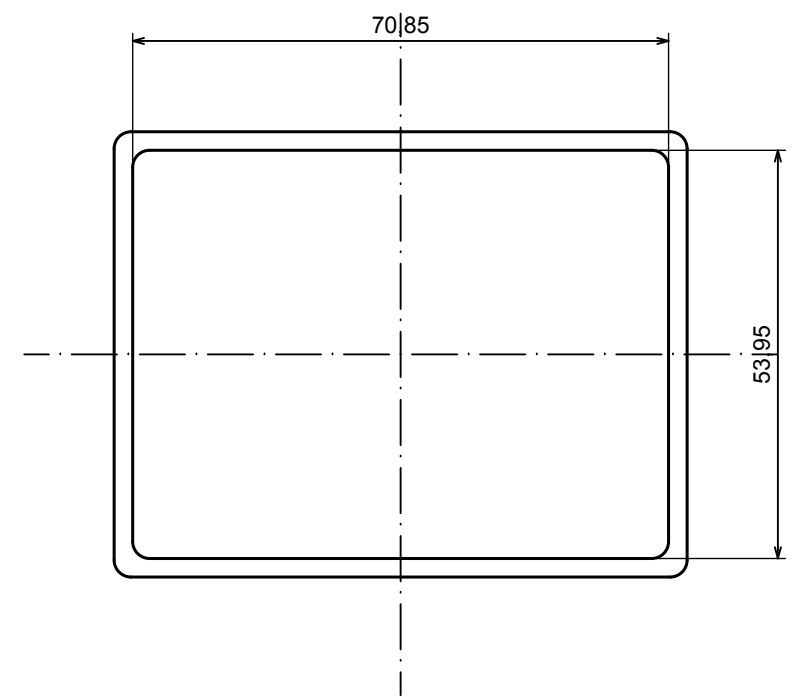
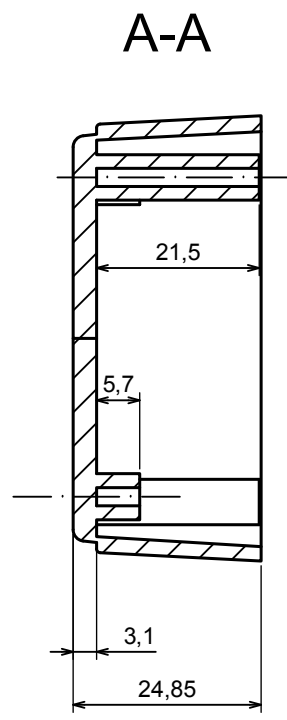
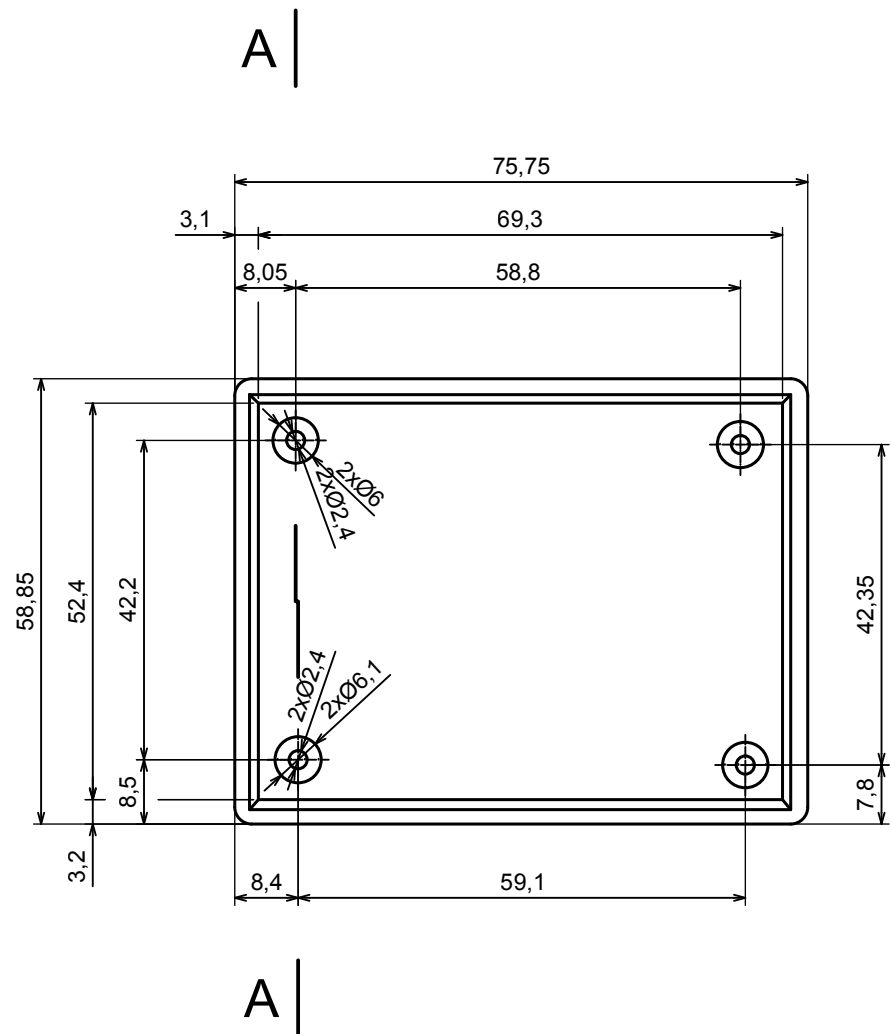
All rights reserved, Copyright Kradex 2016


Product model: Enclosure Z70U - base

Format: A3 Material: PS, ABS

Scale 2:1 Tolerance: +/- 0.8





All rights reserved, Copyright Kradox 2016		
Product model	Enclosure Z70U - cover	
Format: A3	Material: PS, ABS	
Scale 1:1	Tolerance: +/- 0.8	