
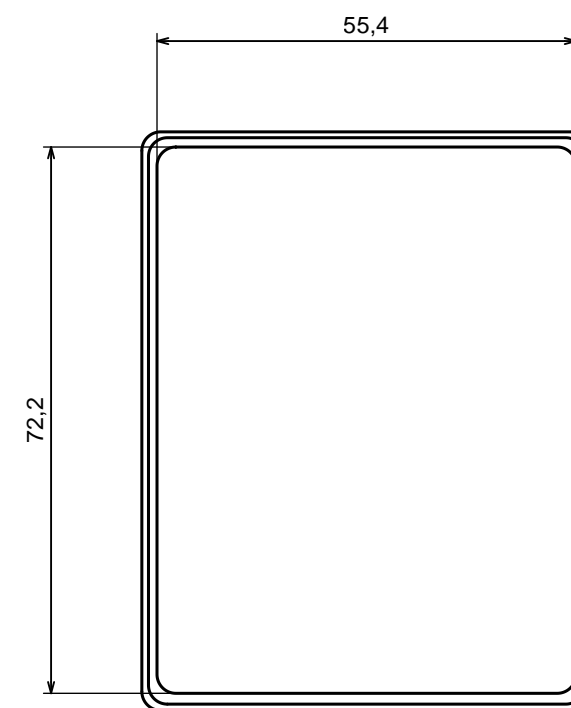
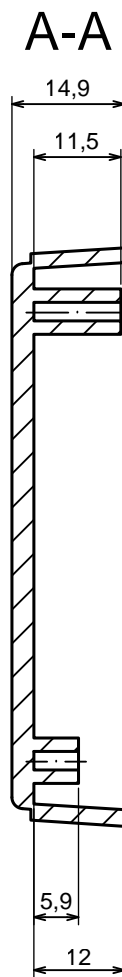
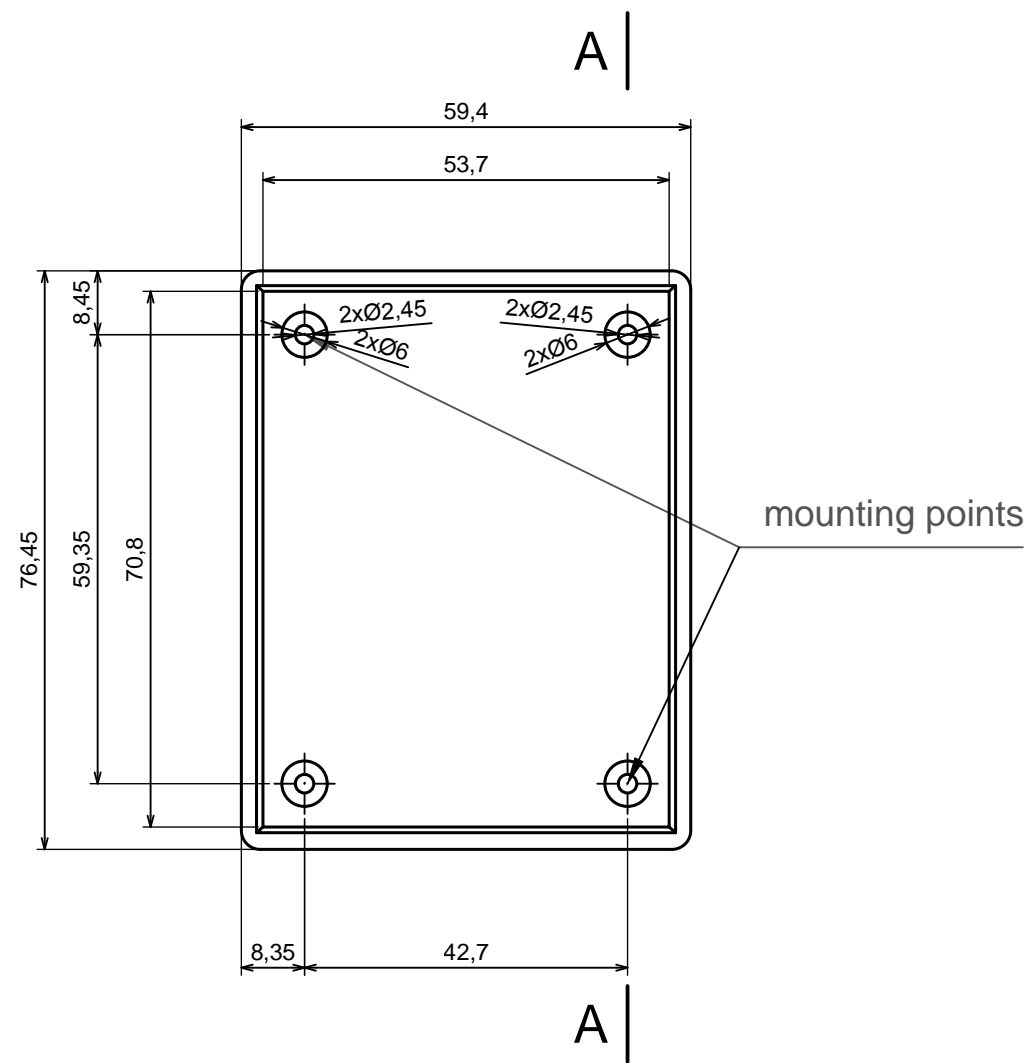

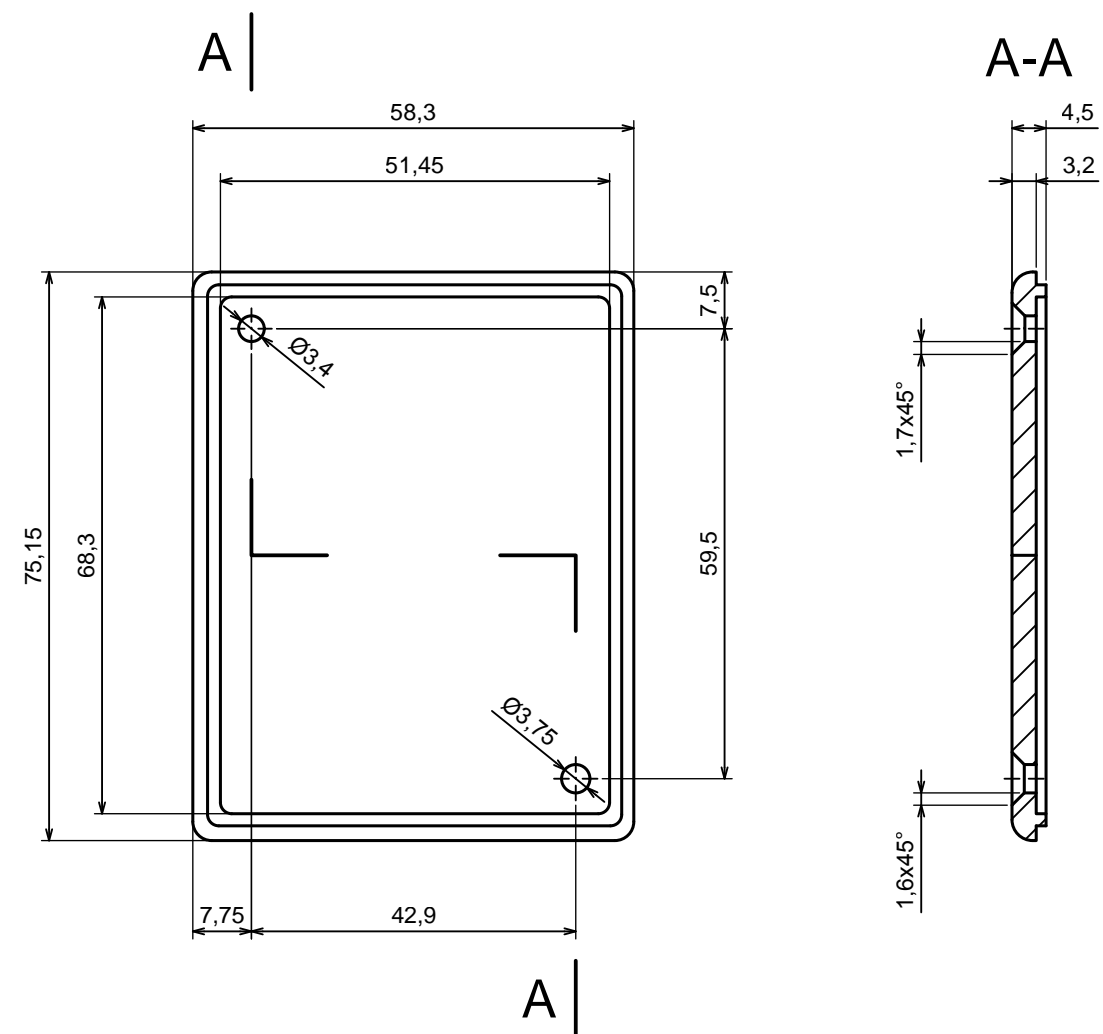


| | | |
|--|-------------------------|---|
| All rights reserved, Copyright Kradox 2016 | | |
| Product model | Enclosure Z71- assembly | |
| Format: A3 | Material: PS, ABS |  |
| Scale 1:1 | Tolerance: +/- 0.5 | |



| | | |
|--|----------------------|---|
| All rights reserved, Copyright Kradox 2016 | | |
| Product model | Enclosure Z71 - base | |
| Format: A3 | Material: PS, ABS |  |
| Scale 1:1 | Tolerance: +/- 0.5 | |



All rights reserved, Copyright Kradex 2016

Product model Enclosure Z71 - cover

Format: A3 Material: PS, ABS

Scale 1:1 Tolerance: +/- 0.5

