
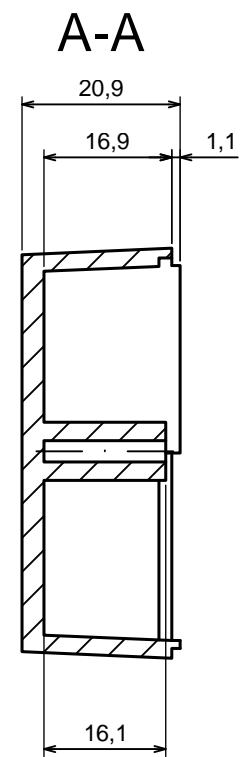
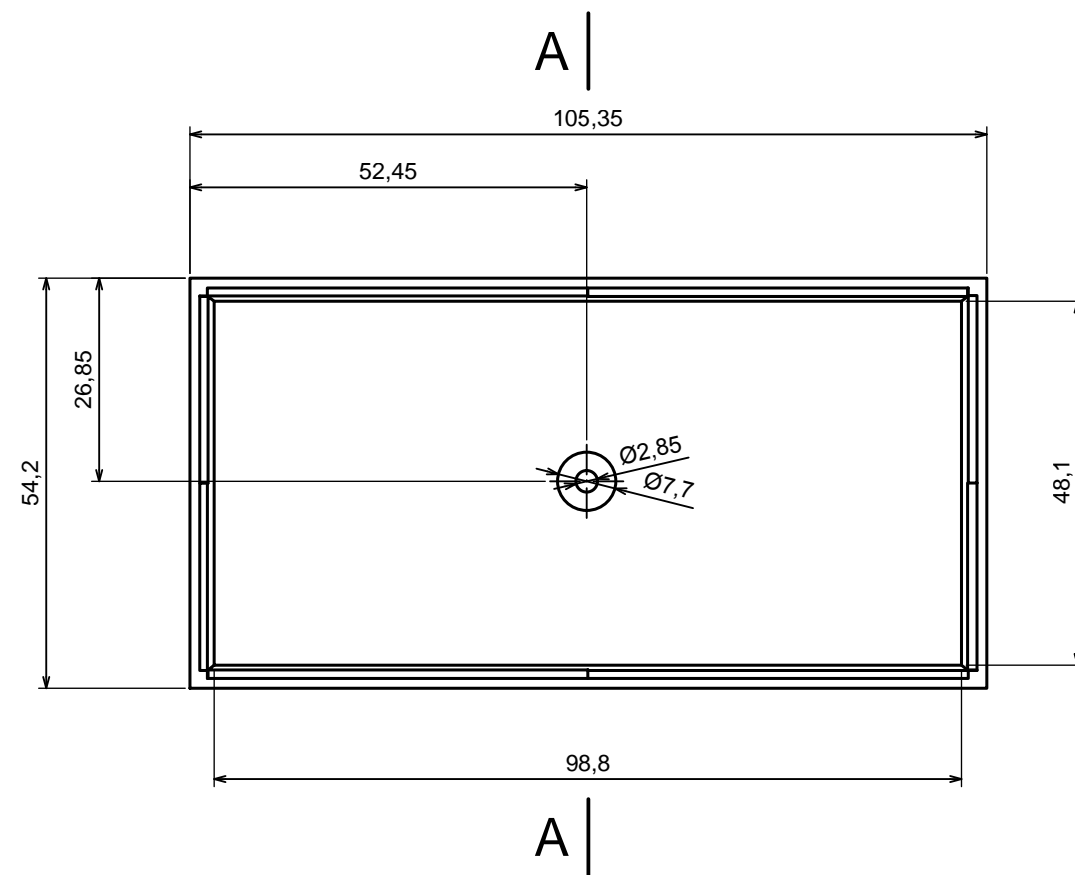


|  |                          |   |
|--|--------------------------|---|
| All rights reserved, Copyright Kradox 2016 |                          |   |
| Product model                              | Enclosure Z7A - assembly |   |
| Format: A3                                 | Material: PS, ABS        |  |
| Scale 1:1                                  | Tolerance: +/- 0.5       |   |



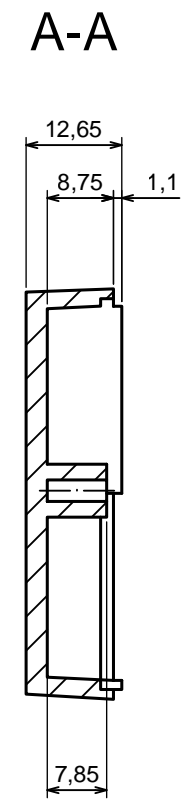
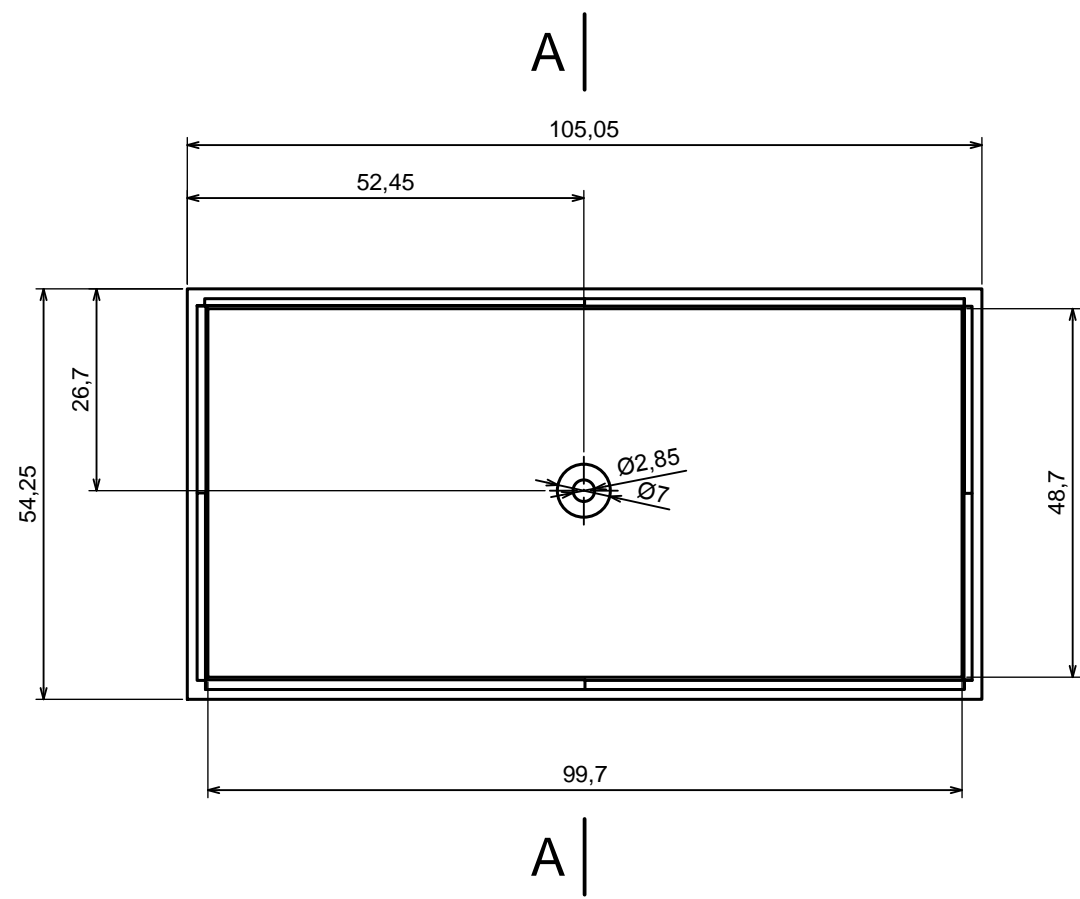
All rights reserved, Copyright Kradox 2016


Product model Enclosure Z7A - base

Format: A3 Material: PS, ABS

Scale 1:1 Tolerance: +/- 0.5





|  |                       |   |
|--|-----------------------|---|
| All rights reserved, Copyright Kradox 2016 |                       |   |
| Product model                              | Enclosure Z7A - cover |   |
| Format: A3                                 | Material: PS, ABS     |  |
| Scale 1:1                                  | Tolerance: +/- 0.5    |   |