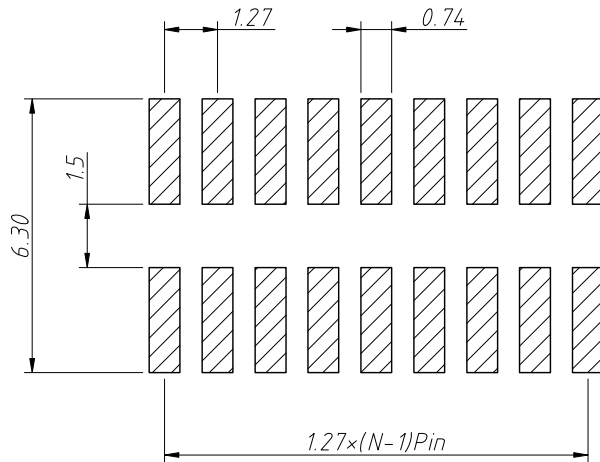
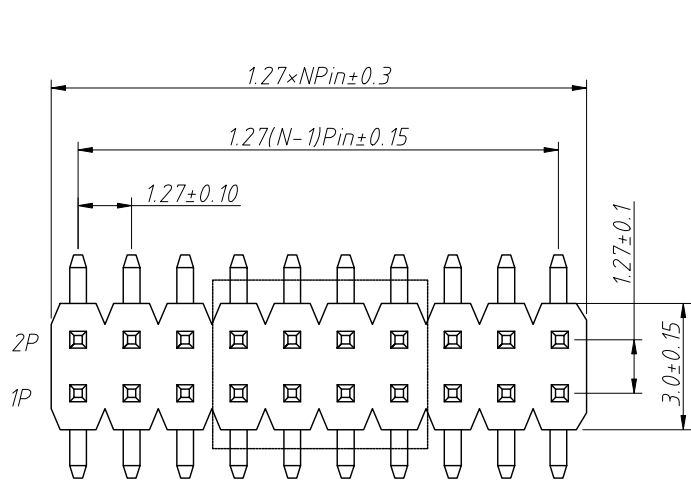


RoHS Compliance

REV	SYM	Revision Record	Appr.	Date
V0	KLS01002	New Version Release	Song	2023-09-25



Recommended PCB Layout
Tolerance: ±0.05mm

Notes:

1.Material:

Contact: Brass, Au Over Ni

Insulator: Polyester, UL 94 V-0

Standard: PA6T

2.Electric:

Rated Current: 1.0AMP

Contact Resistance: 20mΩ Max

Withstand Voltage: 500V AC/DC

Insulation Resistance: 1000MΩ Min

Operation Temperature: -40°C ~ +105°C

Max Processing Temp: 230°C for 30-60 seconds
(260°C for 10 seconds)

Order Information

L-KLS1-207C-2.5-2-XX-TC-5.5X3.0X0.5-XX-X

RoHS

Pin Header Series

Plastics Height:

Per Row: Double Layer

Pin-No. of Pins

TC: SMT+Cap

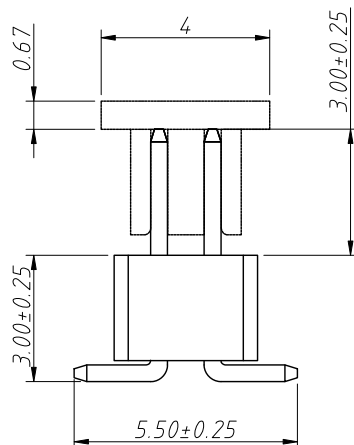
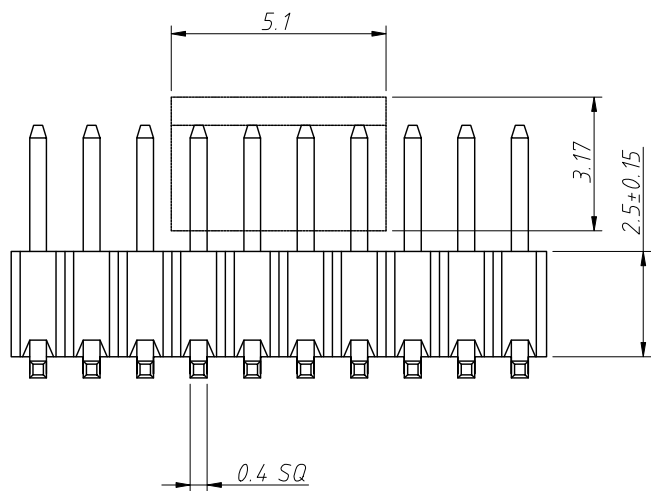
Size: 5.5x3.0x0.5

Plating: G0=Gold Flash G1=1u"Gold

G10=10u"Gold G15=15u"Gold G30=30u"Gold

Post: W=With Post

Packing: A=Tray R=Reel T=Tube M=Reel+Mylar



ANGLE TOLERANCE	PROJECTION	Description:	1.27mm Pitch
±3°			Male Pin Header Connector
GENERAL TOLERANCE	UNITS	mm	KLS P/N: L-KLS1-207C-2.5-2-XX-TC-5.5X3.0X0.5
x.x ±0.30	SHEET SIZE	A4	NingBo KLS ELECTRONIC CO.,L TD.
x.xx ±0.20	Draw:	Song	
x.xxx ±0.10	Check:	Daniel	