




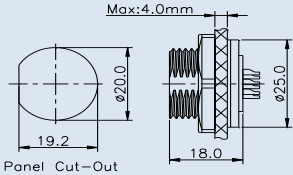
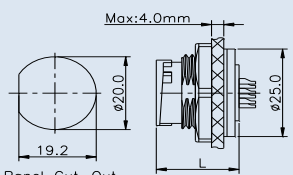
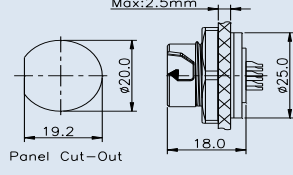
# MIDDLE SERIES

## CHOGORI

### Middle Series Specifications

#### Middle Series, Front Panel Mount & Male Pin

Description	Front Panel Mount Screw Type, Solder	Front Panel Mount Lock bayonet Type, Solder	Front Panel Mount Push Lock Type, Solder
Figure			

Drawing		Note: 9.10 positions, L=17.0 other positions, L=18.0 	
---------	-----------------------------------------------------------------------------------	-----------------------------------------------------------------------------------------------------------------------------------------------	-------------------------------------------------------------------------------------

Part-No.	Contacts		Part-Number		Contacts		Part-Number		Contacts		Part-Number		
		2	3	4	5	6	7	8	3+5	9	10	12	14
	23002515-01	23003515-01	23004515-01	23005515-01	23006515-01	23007515-01	23008515-01	23305515-01	23009515-01	23010515-01	23012515-01	23014515-01	23018515-01
	23002525-01	23003525-01	23004525-01	23005525-01	23006525-01	23007525-01	23008525-01	23305525-01	23009525-01	23010525-01	23012525-01	23014525-01	23018525-01
	23002535-01	23003535-01	23004535-01	23005535-01	23006535-01	23007535-01	23008535-01	23305535-01	23009535-01	23010535-01	23012535-01	23014535-01	23018535-01

#### Specifications




Number of Contacts	2	3	4	5	6	7	8	3+5	9	10	12	14	18
Wire Gauge	2.5mm <sup>2</sup> (14AWG)		1.0mm <sup>2</sup> (17AWG)	0.75mm <sup>2</sup> (18AWG)		0.34mm <sup>2</sup> (22AWG)		1.0mm <sup>2</sup> +0.25mm <sup>2</sup> (17AWG +24AWG)	0.34mm <sup>2</sup> (22AWG)	0.25mm <sup>2</sup> (24AWG)			
Panel Thickness	Max. 4.0mm				Max. 4.0mm				Max. 2.5mm				
Environmental Protection	IP68				IP67				IP67				
Mechanical Life	500 mating cycles												
Operating Temperature	- 45°C - 105°C												
Voltage Rating	300V	300V	300V	125V	125V	60V	60V	125+30V	60V	30V	30V	30V	30V
Rated Current(40°C)	20A	20A	15A	10A	10A	5A	5A	15A+2A	5A	5A	5A	5A	2A

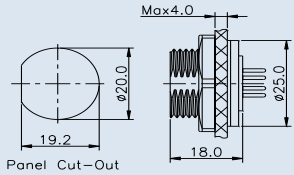
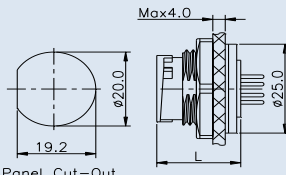
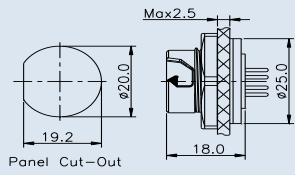
# MIDDLE SERIES

## CHOGORI

### Middle Series Specifications

#### Middle Series, Front Panel Mount & Male Pin

Description	Front Panel Mount Screw Type, PCB	Front Panel Mount Lock bayonet Type, PCB	Front Panel Mount Push Lock Type, PCB
Figure			

Drawing		Note: 9,10 positions, L=17.0 other positions, L=18.0 	
---------	-----------------------------------------------------------------------------------	-----------------------------------------------------------------------------------------------------------------------------------------------	-------------------------------------------------------------------------------------

Part-No.	Screw Type		Lock bayonet Type		Push Lock Type	
	Contacts	Part-Number	Contacts	Part-Number	Contacts	Part-Number
	2	23002515-02	2	23002525-02	2	23002535-02
	3	23003515-02	3	23003525-02	3	23003535-02
	4	23004515-02	4	23004525-02	4	23004535-02
	5	23005515-02	5	23005525-02	5	23005535-02
	6	23006515-02	6	23006525-02	6	23006535-02
	7	23007515-02	7	23007525-02	7	23007535-02
	8	23008515-02	8	23008525-02	8	23008535-02
	3+5	23305515-02	3+5	23305525-02	3+5	23305535-02
	9	23009515-02	9	23009525-02	9	23009535-02
	10	23010515-02	10	23010525-02	10	23010535-02
	12	23012515-02	12	23012525-02	12	23012535-02
	14	23014515-02	14	23014525-02	14	23014535-02
	18	23018515-02	18	23018525-02	18	23018535-02



Specifications													
Number of Contacts	2	3	4	5	6	7	8	3+5	9	10	12	14	18
Wire Gauge	2.5mm <sup>2</sup> (14AWG)		1.0mm <sup>2</sup> (17AWG)	0.75mm <sup>2</sup> (18AWG)	0.34mm <sup>2</sup> (22AWG)		1.0mm <sup>2</sup> +0.25mm <sup>2</sup> (17AWG +24AWG)		0.34mm <sup>2</sup> (22AWG)	0.25mm <sup>2</sup> (24AWG)			
Panel Thickness	Max. 4.0mm				Max. 4.0mm				Max. 2.5mm				
Environmental Protection	IP68				IP67				IP67				
Mechanical Life	500 mating cycles												
Operating Temperature	- 45°C - 105°C												
Voltage Rating	300V	300V	300V	125V	125V	60V	60V	125+30V	60V	30V	30V	30V	30V
Rated Current(40°C)	20A	20A	15A	10A	10A	5A	5A	15A+2A	5A	5A	5A	5A	2A

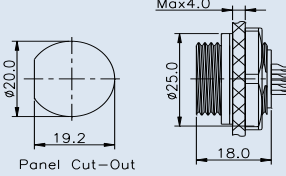
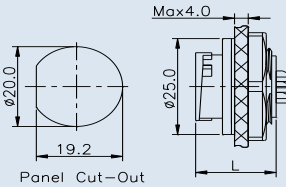
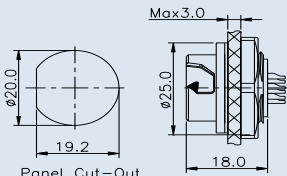
# MIDDLE SERIES

## CHOGORI

### Middle Series Specifications

#### Middle Series, Rear Panel Mount & Male Pin

Description	Rear Panel Mount Screw Type, Solder	Rear Panel Mount Lock bayonet Type, Solder	Rear Panel Mount Push Lock Type, Solder
Figure			

Drawing		Note: 9.10 positions, L=17.0 other positions, L=18.0 	
---------	-----------------------------------------------------------------------------------	-----------------------------------------------------------------------------------------------------------------------------------------------	-------------------------------------------------------------------------------------

Part-No.	Contacts		Part-Number		Contacts		Part-Number		Contacts		Part-Number	
		2	3	23002515-03	23002525-03	2	3	23002525-03	23003525-03	2	3	23002535-03
	4	5	23004515-03	23004525-03	4	5	23004525-03	23005525-03	4	5	23004535-03	23005535-03
	6	7	23006515-03	23006525-03	6	7	23006525-03	23007525-03	6	7	23006535-03	23007535-03
	8	9	23008515-03	23008525-03	8	9	23008525-03	23009525-03	8	9	23008535-03	23009535-03
	10	12	23010515-03	23010525-03	10	12	23010525-03	23012525-03	10	12	23010535-03	23012535-03
	14	18	23014515-03	23014525-03	14	18	23014525-03	23018525-03	14	18	23014535-03	23018535-03

Specifications													
Number of Contacts	2	3	4	5	6	7	8	3+5	9	10	12	14	18
Wire Gauge	2.5mm <sup>2</sup> (14AWG)		1.0mm <sup>2</sup> (17AWG)	0.75mm <sup>2</sup> (18AWG)	0.34mm <sup>2</sup> (22AWG)		1.0mm <sup>2</sup> +0.25mm <sup>2</sup> (17AWG +24AWG)		0.34mm <sup>2</sup> (22AWG)	0.25mm <sup>2</sup> (24AWG)			
Panel Thickness	Max. 4.0mm				Max. 4.0mm				Max. 3.0mm				
Environmental Protection	IP68				IP67				IP67				
Mechanical Life	500 mating cycles												
Operating Temperature	- 45°C - 105°C												
Voltage Rating	300V	300V	300V	125V	125V	60V	60V	125+30V	60V	30V	30V	30V	30V
Rated Current(40°C)	20A	20A	15A	10A	10A	5A	5A	15A+2A	5A	5A	5A	5A	2A