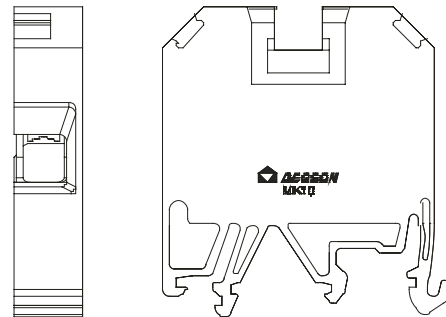
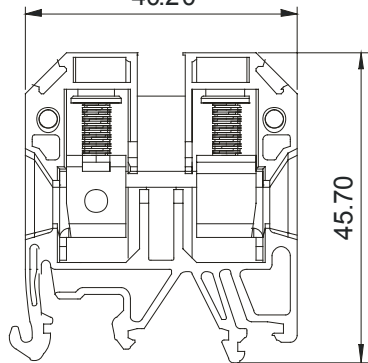
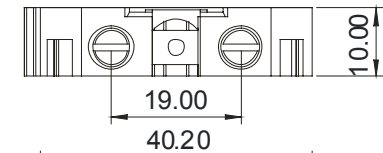
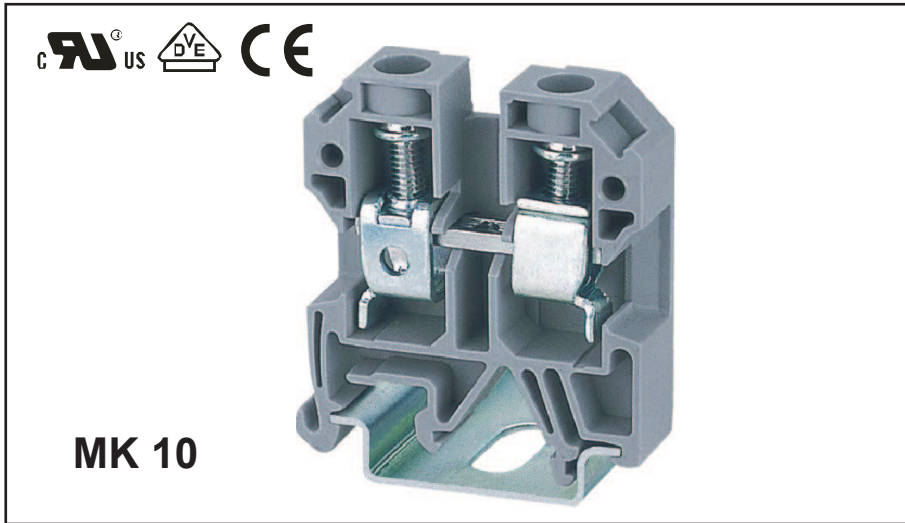




DEGSON ELECTRONICS CO., LTD.

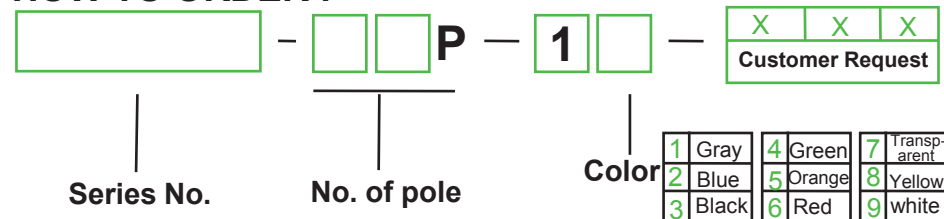
Product Specification



Approval		
Electrical Standard	UL	IEC
Voltage	600V	630V
Current	60A	57A
Wire size	14-6AWG	1.5-10mm ²
T/W/End plate	10/42/1.5mm	
Height(NS35:7.5/NS35:15/NS32)	47.5/55/47.5mm	
Rated surge voltage/Contamination class	8KV/3	
Stripping length	10mm	
Screw thread / Tightening torque	M4/1.2N.m/26.5Lb-in	
Insulating material/Inflammability class	PAV-0	

Specification	Model	Pieces
(1)Terminal block	MK10	100
(2)Cover	D-MK4	200
(3)Partition plate	DTW-4	20
(4)Separating plate	TSCH1	100
(5)Cross	Q 2-10	50
Connection	Q 3-10	50
links	Q 4-10	50
	Q 10-10	50
(6)Removable cross	VL ₂ VL-10	50
connection links	Vh VH Vh 19	50
	BS BS-M3X25	100
(7)Protective covers	AD 3-10	
	AD 4-10	
(8)Zack strip	DEK 6	100

HOW TO ORDER :



	DEGSON ELECTRONICS CO., LTD.
 THIROANGLE PROJECTION	NAME MK 10