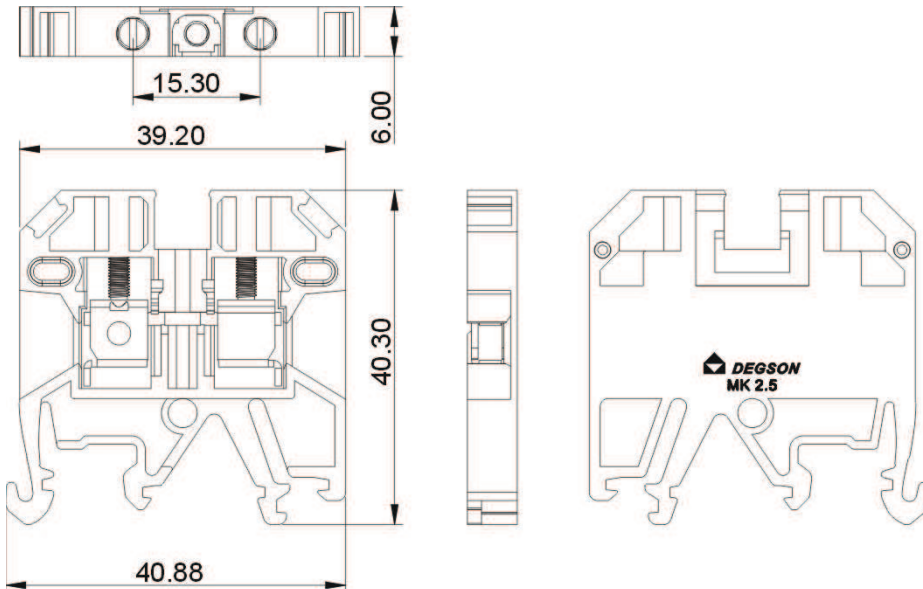
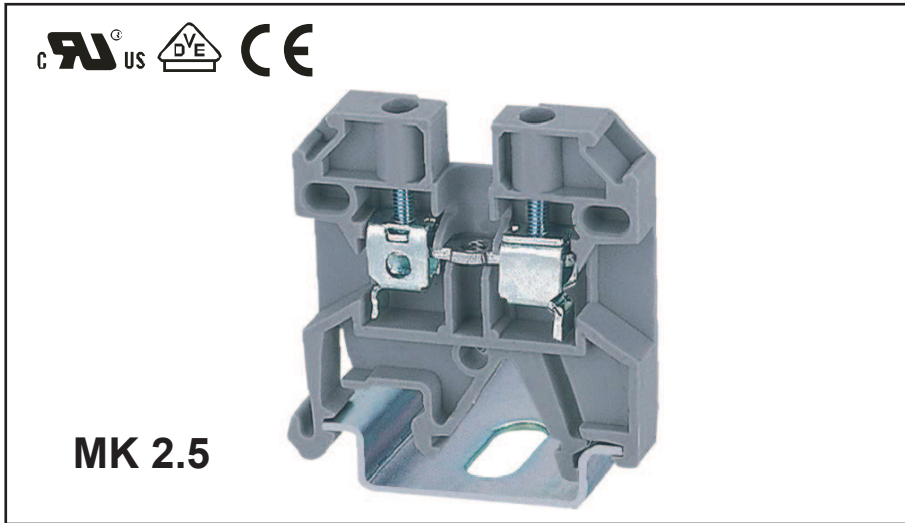





DEGSON ELECTRONICS CO., LTD.

Product Specification



Approval	cRU [®] US 	
Electrical Standard	UL	IEC
Voltage	600V	500V
Current	20A	24A
Wire size	22-12AWG	0.5-2.5mm ²
T/W/End plate	6/41/1.5mm	
Height(NS35:7.5/NS35:15/NS32)	42.5/50/42.5mm	
Rated surge voltage/Contamination class	8KV/3	
Stripping length	8mm	
Screw thread / Tightening torque	M2.5/0.4N.m/3.5Lb-in	
Insulating material/Inflammability class	PAV-0	

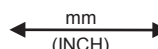
Specification	Model	Pieces
(1) Terminal block	MK2.5	100
(2) Cover	D-MK2.5	200
(3) Partition plate	DTW-2.5	20
(4) Separating plate	TSCH1	100
(5) Cross	Q 2-2.5	50
2P	Q 3-2.5	50
3P	Q 4-2.5	50
4P	Q 10-2.5	20
Connection links		
10P		
(6) Removable cross connection links		
VL ₂		
VH		
BS		
(7) Protective covers	AD 3-2.5	
	AD 4-2.5	
(8) Zack strip	DEK 5	100

HOW TO ORDER :

- P - 1 - X X X
 Customer Request

Series No. No. of pole Color

1	Gray	4	Green	7	Transp-arent
2	Blue	5	Orange	8	Yellow
3	Black	6	Red	9	white

	 DEGSON ELECTRONICS CO., LTD.
	NAME MK 2.5