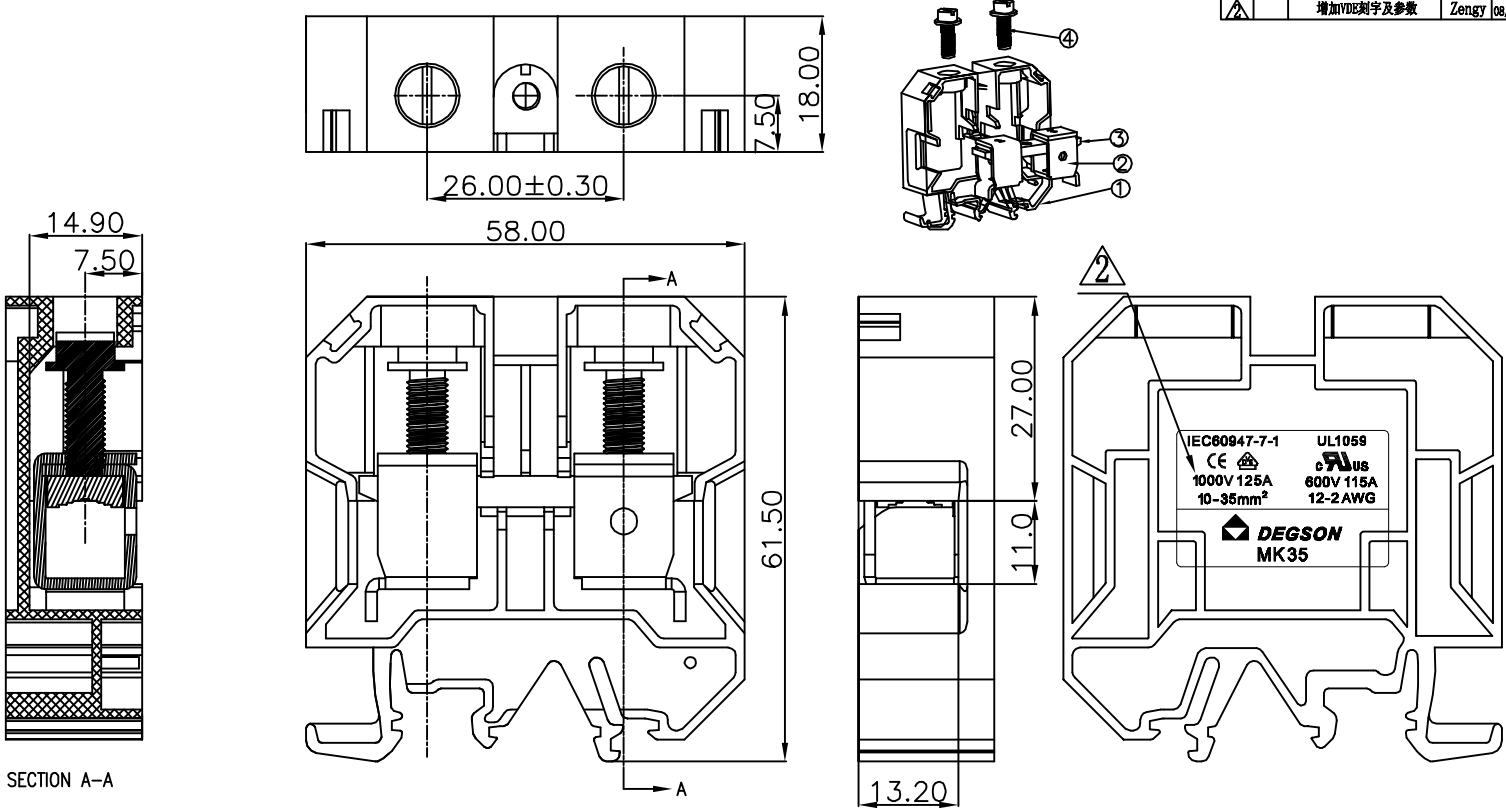


REVISION RECORD				
REV	ECO	DESCRIPTION	DRFT	DATE
△		增加凹刻字, 并修改结构	Ye j	07/15/08'
△		增加VDE刻字及参数	Zengy	08/24/08'



SECTION A-A

Notes:

- Rated voltage/current:UL 600V/115A
VDE 1000V/125A
- Operation temperatures:-40° C - +105° C
- Insulation Withstand Voltage:AC3000V/1Min
- Insulation Resistance:5000MΩ /DC1000V
- Wire Range:12-2AWG , 10-35mm²
- Max. Torque Value:M6.0 , 25.5kgf.cm
- Undimensioned Tolerances:

Pitch range in mm		Nominal dimension range in mm						
over 6	over 10	over 30	over 60	over 100	over 150	∩		
to 10	to 24	to 30	to 60	to 100	to 150	∇		
±0.10	±0.15	±0.25	±0.2	±0.3	±0.5	±0.7	±1.0	0.05/10

4	MK35 Screw	S000002030 (H)	2	Steel	Cr ³⁺ Zn
3	MK35-Current carrier	6043B00010 (H)	1	Brass	Ni plated
2	MK35 cage	X000001380 (H)	2	Iron	Cr ³⁺ Zn

ITEM	NAME OF PART	NO. OF PART	Q'TY	MATERIAL	NOTES																											
1	MK35 Housing	6043A2801A(H)	1	PA66	UL94V-0																											
DETAILED LISTS		<table border="1"> <tr> <td>MM (INCH)</td> <td>DFTD Zhuyun</td> <td>DATE 01/04/07'</td> </tr> <tr> <td>TOLERANCES EXCEPT AS NOTED</td> <td>CHKD</td> <td>DATE</td> </tr> <tr> <td></td> <td>MFO</td> <td>DATE</td> </tr> <tr> <td></td> <td>APPVL</td> <td>DATE</td> </tr> <tr> <td>MM</td> <td colspan="2">MATERIAL :</td> </tr> <tr> <td>.0 ±</td> <td colspan="2">G.E. :</td> </tr> <tr> <td>.00 ±</td> <td colspan="2">FINISH :</td> </tr> <tr> <td>.000 ±</td> <td colspan="2">SCALE : 1:1</td> </tr> <tr> <td>ANGLES ± 1'</td> <td colspan="2">THIRD ANGLE PROJECTION</td> </tr> </table>				MM (INCH)	DFTD Zhuyun	DATE 01/04/07'	TOLERANCES EXCEPT AS NOTED	CHKD	DATE		MFO	DATE		APPVL	DATE	MM	MATERIAL :		.0 ±	G.E. :		.00 ±	FINISH :		.000 ±	SCALE : 1:1		ANGLES ± 1'	THIRD ANGLE PROJECTION	
MM (INCH)	DFTD Zhuyun	DATE 01/04/07'																														
TOLERANCES EXCEPT AS NOTED	CHKD	DATE																														
	MFO	DATE																														
	APPVL	DATE																														
MM	MATERIAL :																															
.0 ±	G.E. :																															
.00 ±	FINISH :																															
.000 ±	SCALE : 1:1																															
ANGLES ± 1'	THIRD ANGLE PROJECTION																															
NAME		MK35-01P-18-01A (H)		宁波高正电子有限公司 DEGSON ELECTRONICS CO., LTD																												
DRAWING NO.		MK35-E02		SIZE	REV																											
/PART NO.				A3	T2																											
DO NOT SCALE DRAWING		SHEET 1		OF 1																												