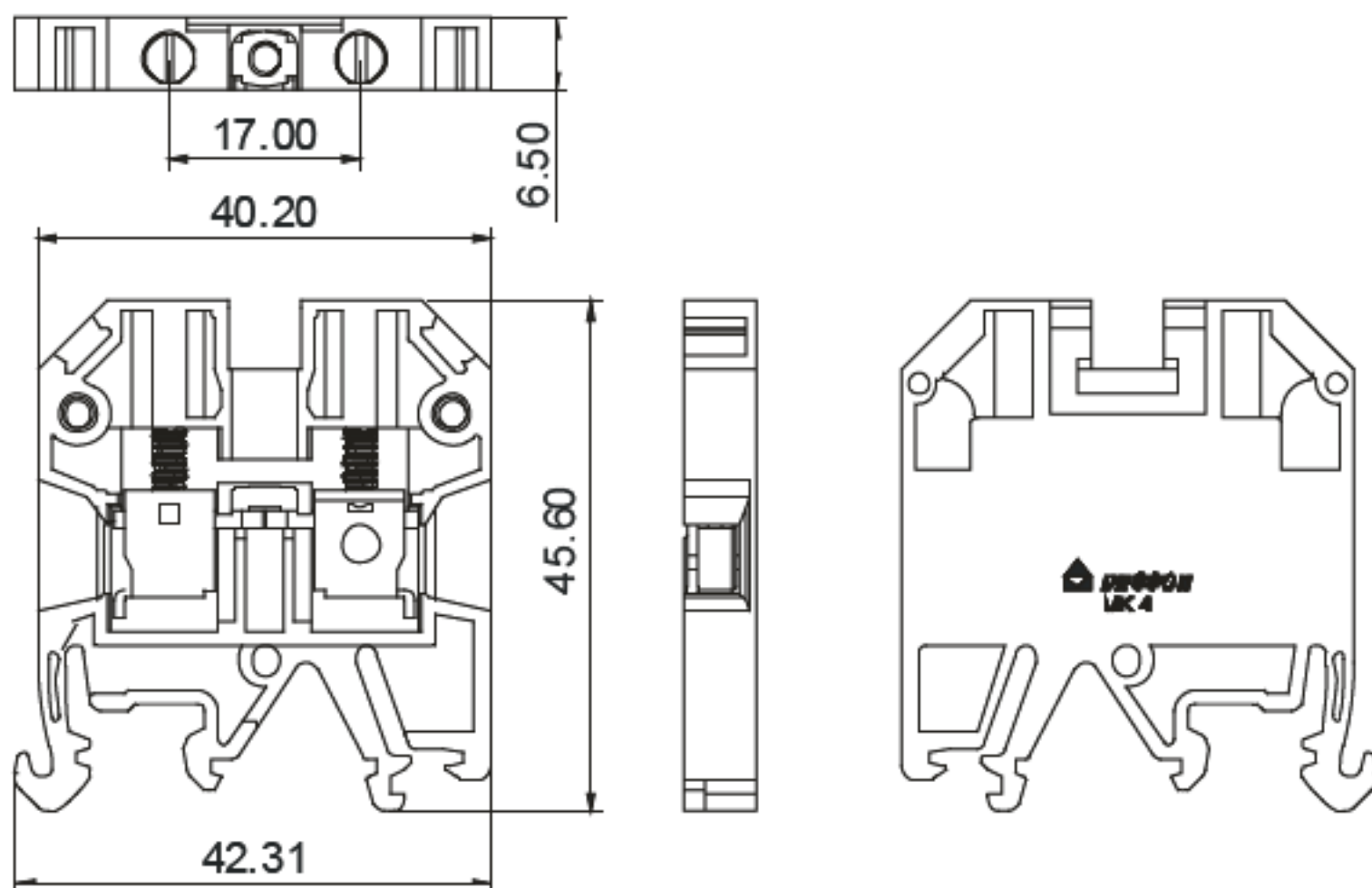
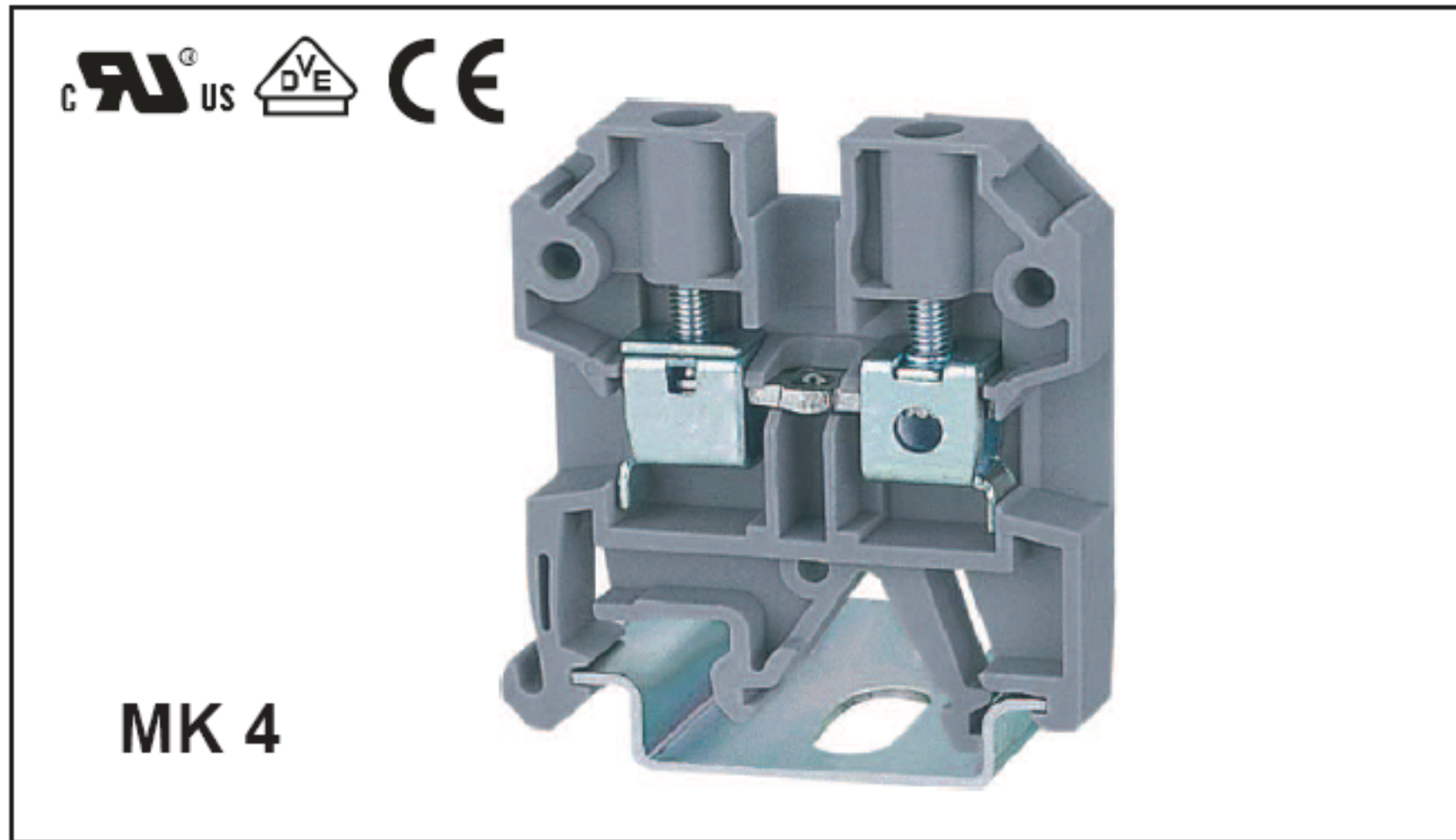




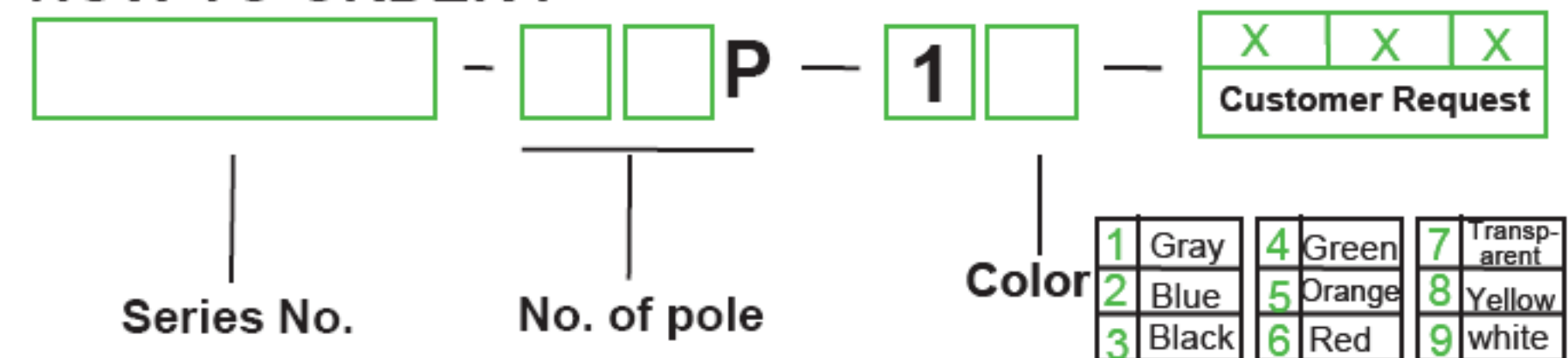
DEGSON ELECTRONICS CO., LTD.

Product Specification



Approval			
Electrical	UL	IEC	
Standard	600V	800V	
Voltage	3A	32A	
Current	22-12 AWG	0.5-4.0mm ²	
Wire size	6.5/42/1.5mm		
T/W/End plate	47.5/55/47.5mm		
Height(NS35:7.5/NS35:15/NS32)	8KV/3		
Rated surge voltage/Contamination class	12mm		
Stripping length	M3/0.5N.m/12.5Lb-in		
Screw thread / Tightening torque	PAV-0		
Insulating material/Inflammability class			
Specification	Model	Pieces	
(1)Terminal block	MK4	100	
(2)Cover	D-MK4	200	
(3)Partition plate	DTW-4	20	
(4)Separating plate	TSCH1	100	
(5)Cross	Q 2-4	50	
Connection	Q 3-4	25	
links	Q 4-4	16	
	Q 10-4	50	
(6)Removable cross	VL ₂	VL-4	50
connection links	VH	Vh 19	50
	BS	BS-M3X25	100
(7)Protective covers	AD 3-4		
	AD 4-4		
(8)Zack strip	DEK 6	100	

HOW TO ORDER :



	DEGSON ELECTRONICS CO., LTD.
	NAME MK 4