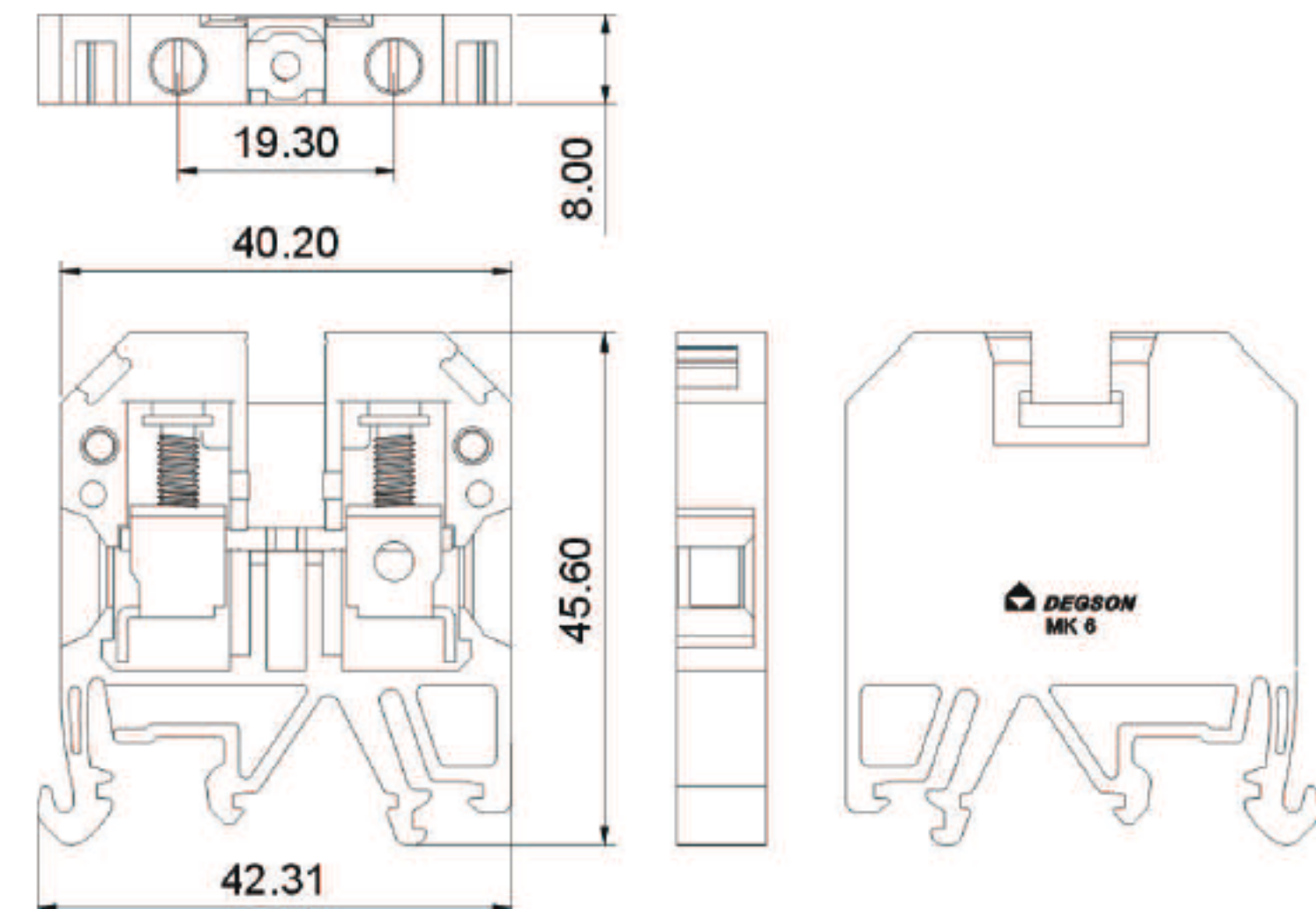
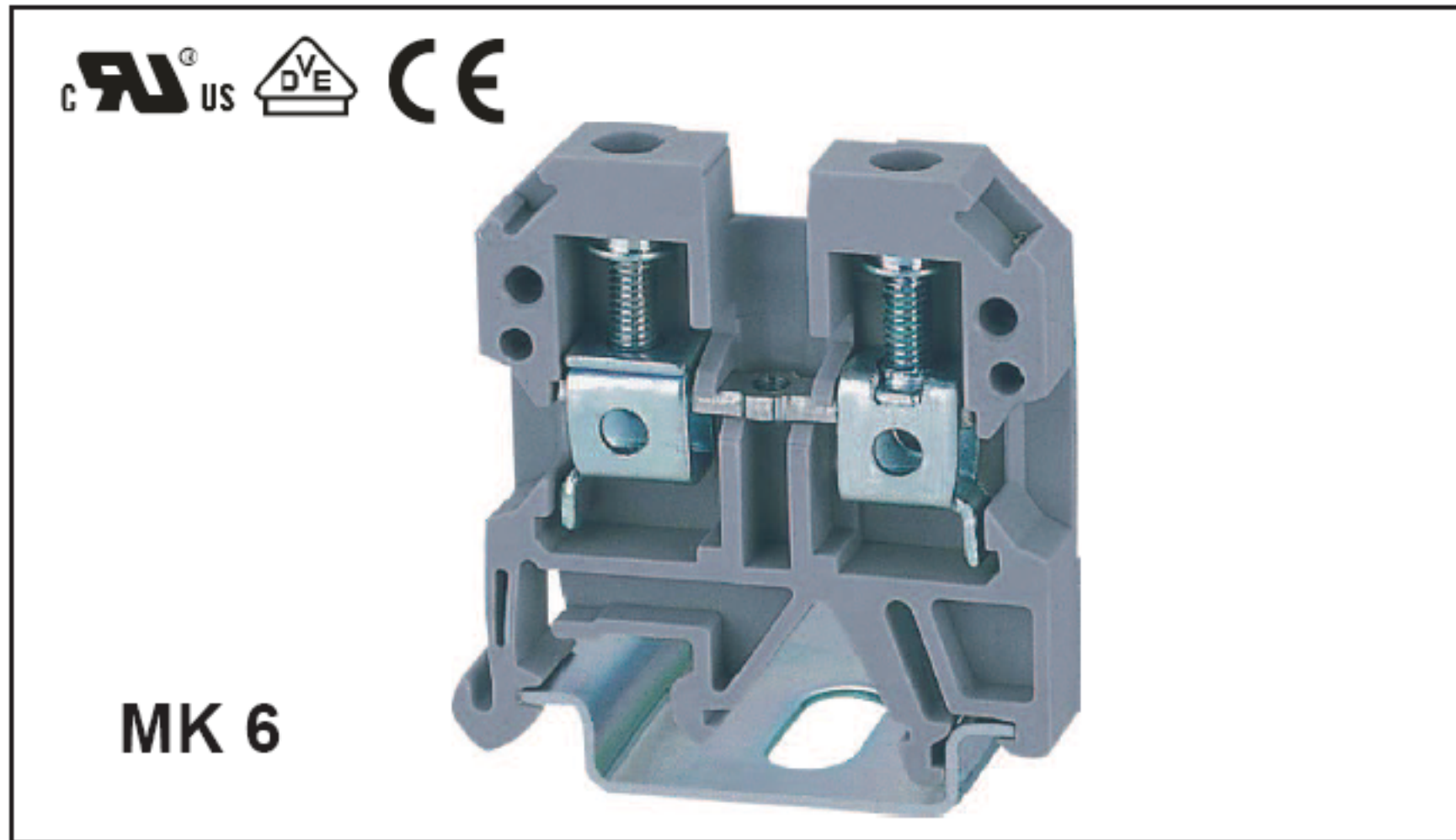




# DEGSON ELECTRONICS CO., LTD.

## Product Specification



Approval		
<b>Electrical</b>	<b>UL</b>	<b>IEC</b>
Standard	600V	800V
Voltage	3A	41A
Current	22-8AWG	0.5-6.0mm <sup>2</sup>
Wire size	8/42/1.5mm	
T/W/End plate	47.5/55/47.5mm	
Height(NS35:7.5/NS35:15/NS32)	8KV/3	
Rated surge voltage/Contamination class	10mm	
Stripping length	M3.5/0.8N.m/7.1Lb-in	
Screw thread / Tightening torque	PAV-0	
Insulating material/Inflammability class		
<b>Specification</b>	<b>Model</b>	<b>Pieces</b>
(1)Terminal block	MK6	100
(2)Cover	D-MK4	200
(3)Partition plate	DTW-4	20
(4)Separating plate	TSCH1	100
(5)Cross Connection links	Q 2-6	50
	Q 3-6	50
	Q 4-6	50
	Q 10-6	50
(6)Removable cross connection links	VL-6	50
	Vh 19	50
	BS-M3X25	100
(7)Protective covers	AD 3-6	
	AD 4-6	
(8)Zack strip	DEK 6	100

### HOW TO ORDER :

- P - 1 - 

X	X	X
Customer Request		

Series No.      No. of pole      Color

1	Gray	4	Green	7	Transp-arent
2	Blue	5	Orange	8	Yellow
3	Black	6	Red	9	white

	<b>DEGSON ELECTRONICS CO., LTD.</b>
	<b>NAME</b> <b>MK 6</b>