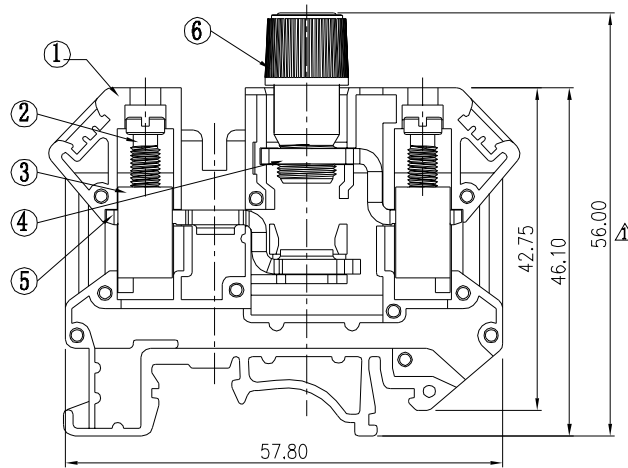
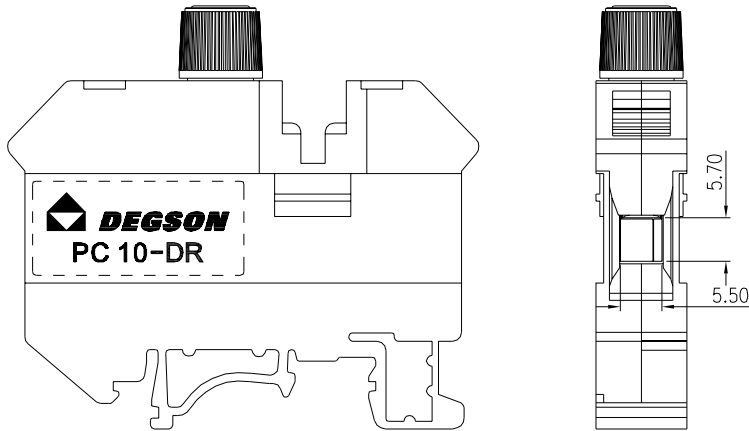
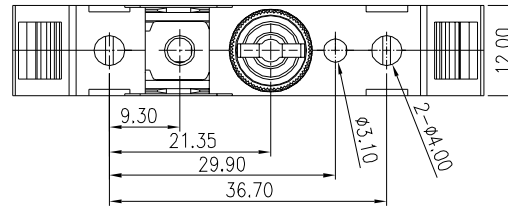


| REVISION RECORD | | | | |
|-----------------|---------|---|------|----------|
| REV | ECN | DESCRIPTION | DRFT | DATE |
| △ | 10-0219 | 6091A0Y01A(H) 6091B00010(H) 6091B00010(H) 6091B00010(H) | | 07/13/10 |

- Notes:
- Rated voltage/current: UL1059 300V/10A
IEC 800V/10A
 - Operation temperatures: -40°C~+105°C
 - Withstanding Voltage: AC3000V/1Min
 - Insulation Resistance: 5000MΩ/DC1000V
 - Wire Range: 14~6AWG, 10mm²
 - Max. Torque Value: M4, 12.24kgf.cm
 - Undimensioned Tolerances:

| Pitch range in mm | | Nominal dimension range in mm | | | | | | |
|-------------------|---------|-------------------------------|----------|----------|------------|------------|------|--|
| to | over | over | over | over | over | over | | |
| 6 | 6 to 10 | 10 to 24 | 30 to 30 | 60 to 60 | 100 to 100 | 150 to 150 | | |
| ±0.10 | ±0.15 | ±0.25 | ±0.2 | ±0.3 | ±0.5 | ±0.7 | ±1.0 | |



| ITEM | NAME OF PART | NO. OF PART | Q'TY | MATERIAL | NOTES |
|------|-----------------|---------------|------|----------|---------|
| 1 | PC10-DR Housing | 6091A0Y01A(H) | 1 | PA66 | UL94V-0 |

| | | |
|----------------------------|-----------|---------------|
| MM (INCH) | DFTO LIUM | DATE 03/13/08 |
| TOLERANCES EXCEPT AS NOTED | CHKD | DATE |
| | MFO | DATE |
| | APPLV | DATE |
| MM | ± | |
| .00 ± | ± | |
| .000 ± | ± | |
| ANGLES ± 1° | G.E : | |
| THIRD ANGLE PROJECTION | FINISH : | |
| | SCALE : | |

| | |
|---|----------|
| 宁波高正电子有限公司 DEGSON ELECTRONICS CO., LTD | |
| NAME | |
| PC10-DR-01P-1Y-00A (H) | |
| DRAWING NO. PC10-DR-E01 | SIZE A3 |
| /PART NO. | REV T1 |
| DO NOT SCALE DRAWING | 07/13/10 |
| SHEET 1 | OF 1 |

| ITEM | NAME OF PART | NO. OF PART | Q'TY | MATERIAL | NOTES |
|------|-----------------------------|-----------------|------|----------|-------------|
| 6 | PC10-DR Fuse Housing | 6091D0101A(H) △ | 1 | | |
| 5 | PC10-DR Double hole current | 6091B00020(H) | 1 | Copper | SnCe plated |
| 4 | PC10-DR Single hole current | 6091B00010(H) | 1 | Copper | SnCe plated |
| 3 | PC10-Brass Cage | X000000910(H) | 2 | Brass | Ni plated |
| 2 | PC 6-Screw | S000001490(H) | 2 | Brass | Ni plated |