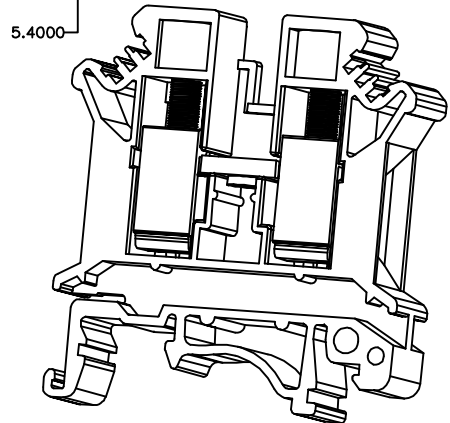
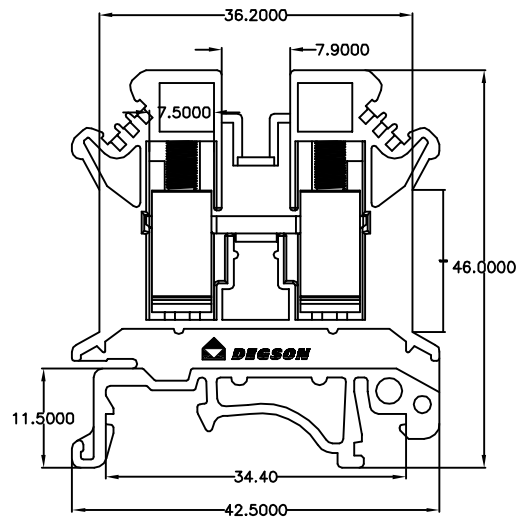
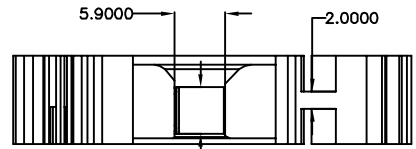
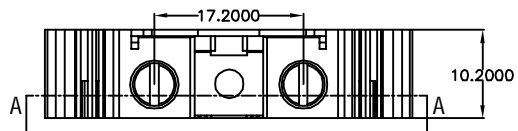
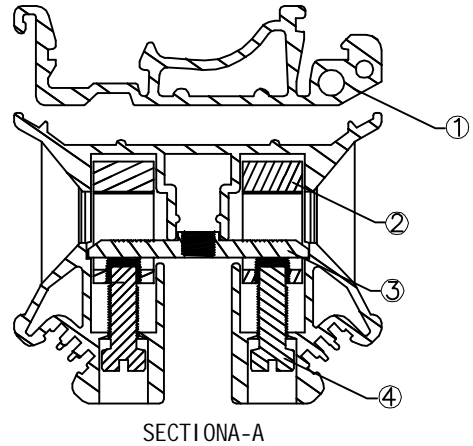
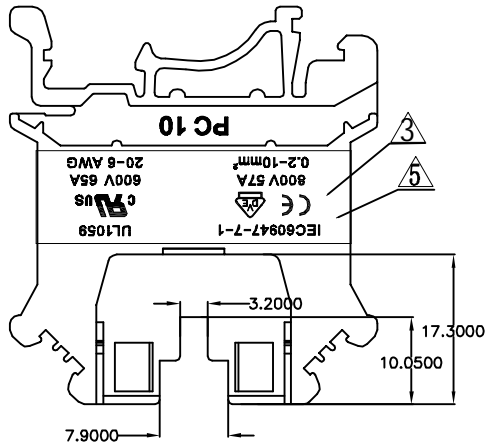


REVISION RECORD				
REV	ECO	DESCRIPTION	DRFT	DATE
△		Drawing Revise	WF	11/23/06'
△		S000001720⇒S000001490	WF	11/27/06'
△		增加UL刻字	CSX	04/04/07'
△		品名、料号增加环保标示“的”	LJH	12/10/07'
△		增加VDE刻字及参数	WLM	07/18/08'



Notes:

- Rated voltage/current:UL 600V/65A
VDE 800V/57A
- Operation temperatures:-40℃~+105℃
- Withstanding Voltage:AC3000V/1Min
- Insulation Resistance:5000MΩ/DC1000V
- Wire Range:20~6AWG, 0.2~10mm²
- Max. Torque Value:M4, 12.24kgf. cm
- Undimensioned Tolerances:

Pitch range in mm		Nominal dimension range in mm						—	
	over 6	over 10		over 30	over 60	over 100	over 150	⌒	
to	to 10	to 24	to 30	to 60	to 100	to 150		▱	
	±0.10	±0.15	±0.25	±0.2	±0.3	±0.5	±0.7	±1.0	0.05/10

△	4	PC6-Screw	S000001490(H)	2	Brass	Ni plated
	3	PC10-Contact	6006B00010(H)	1	Copper	SnCe
	2	PC10 Brass Cage	X000000910(H)	2	Brass	Ni plated

ITEM	NAME OF PART	NO. OF PART	Q'TY	MATERIAL	NOTES
1	PC10-Housing	6006A0Y01A(H)	1	PA66	UL94V-0
DETACHED LISTS	MM (INCH)	DFTO L I U M	DATE	10/11/05"	
	TOLERANCES EXCEPT AS NOTED	CHKD	DATE		
		MFO	DATE		
		APPVL	DATE		
		MATERIAL :			
	ANGLES ± 1°	G.E :			
	THIRD ANGLE PROJECTION	FINISH :			
		SCALE : 1:1	DO NOT SCALE DRAWING		
				SHEET	1 OF 1

DEGSON 宁波高正电子有限公司
DEGSON ELECTRONICS CO., LTD

NAME
PC 10-01P-1Y-00A(H)

DRAWING NO. PC 10-E01 SIZE A3 REV 15 07/18/08
/PART NO.