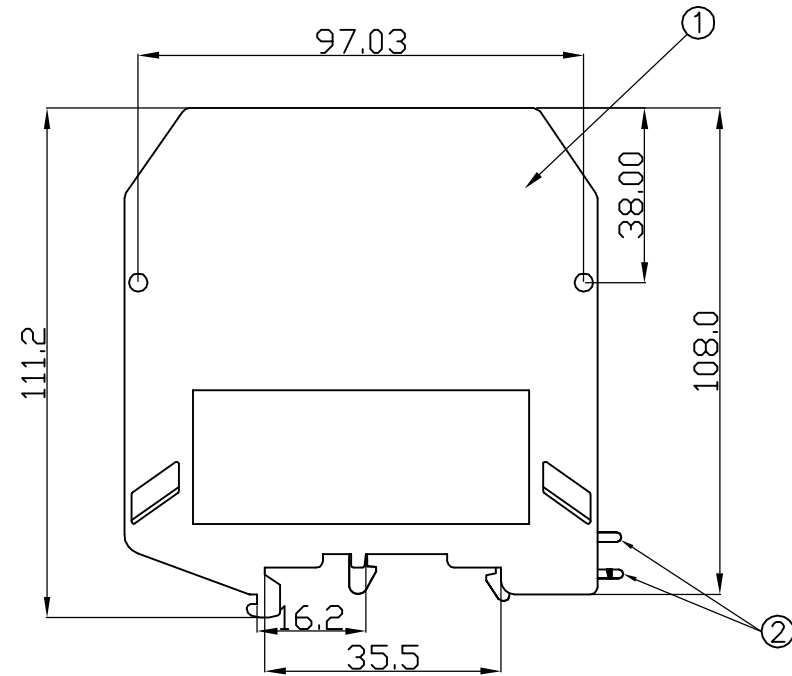
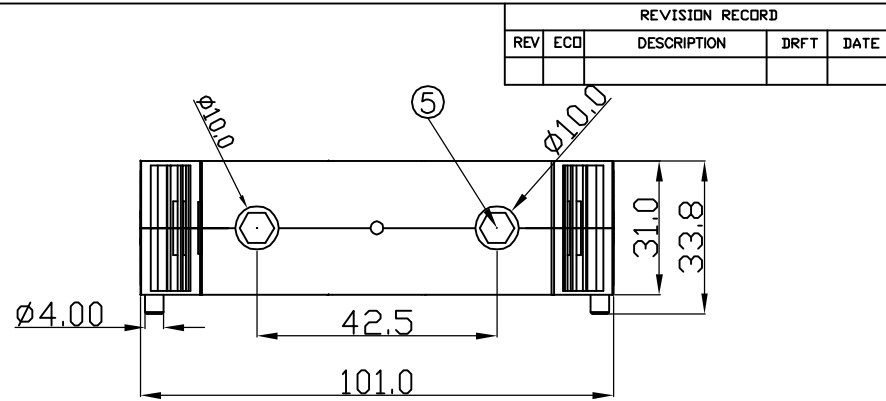
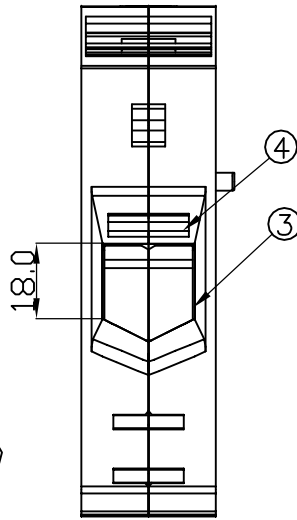
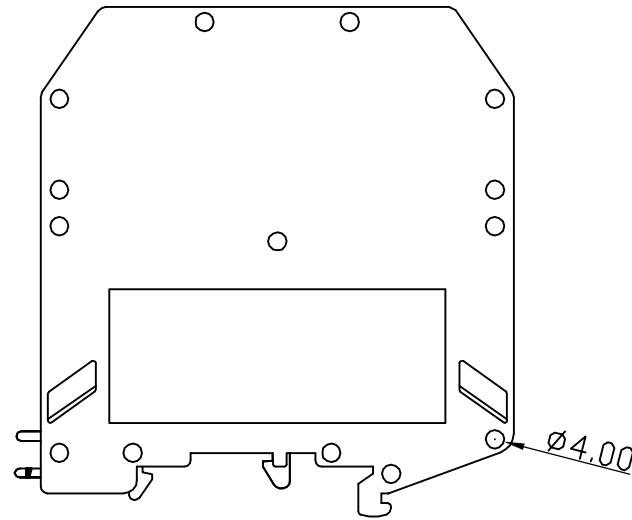


Notes:

1. Rated current:309A
2. Rated voltage:1000V
3. Operation temperatures:-40° C~+105° C
4. Wire Range:50-100mm² 2~300AWG
5. Max. Torque Value:40. 80kgf. cm
6. Undimensioned Tolerances:

Pitch range in mm			Nominal dimension range in mm						
to	over	over	to	over	over	over	over		
6	6 to 10	10 to 24	6	6 to 30	30 to 90	90 to 200	200 to 480		
±0.10	±0.15	±0.25	±0.1	±0.2	±0.3	±0.5	±0.7	0.05/10	



REVISION RECORD				
REV	ECD	DESCRIPTION	DRFT	DATE

2	PC 150-Slip Component	1	PA66	UL94V-0												
1	PC 150 Housing	1	PA66	UL94V-0												
ITEM	NAME OF PART	NO. OF PART	Q'TY	MATERIAL	NOTES											
<table border="1"> <tr> <td>MM (INCH)</td> <td>DFTD ZYH</td> <td>DATE 11/07/07'</td> </tr> <tr> <td>TOLERANCES EXCEPT AS NOTED</td> <td>CHKD</td> <td>DATE</td> </tr> <tr> <td></td> <td>MFD</td> <td>DATE</td> </tr> <tr> <td></td> <td>APPVL</td> <td>DATE</td> </tr> </table>		MM (INCH)	DFTD ZYH	DATE 11/07/07'	TOLERANCES EXCEPT AS NOTED	CHKD	DATE		MFD	DATE		APPVL	DATE	宁波高正电子有限公司 DEGSON ELECTRONICS CO., LTD		
MM (INCH)	DFTD ZYH	DATE 11/07/07'														
TOLERANCES EXCEPT AS NOTED	CHKD	DATE														
	MFD	DATE														
	APPVL	DATE														
<table border="1"> <tr> <td>MM</td> <td>±</td> </tr> <tr> <td>.0 ±</td> <td>±</td> </tr> <tr> <td>.00 ±</td> <td>±</td> </tr> <tr> <td>.000 ±</td> <td>±</td> </tr> </table>		MM	±	.0 ±	±	.00 ±	±	.000 ±	±	NAME PC150-01P-1Y-00A						
MM	±															
.0 ±	±															
.00 ±	±															
.000 ±	±															
<table border="1"> <tr> <td>ANGLES ± 1°</td> <td>G.E</td> </tr> <tr> <td>THIRD ANGLE PROJECTION</td> <td>FINISH:</td> </tr> <tr> <td></td> <td>SCALE : 1:1</td> </tr> </table>		ANGLES ± 1°	G.E	THIRD ANGLE PROJECTION	FINISH:		SCALE : 1:1	DRAWING NO. PC150-E01		SIZE A4						
ANGLES ± 1°	G.E															
THIRD ANGLE PROJECTION	FINISH:															
	SCALE : 1:1															
		/PART NO.		REV TO 11/07/07'												
			DO NOT SCALE DRAWING	SHEET 1 OF 1												

5	PC 150 M10 Screw	2	Steel	Ni Plated
4	PC 150-Contact	1	Brass	Ni Plated
3	PC 150-Hardware	2	Iron	Ni Plated