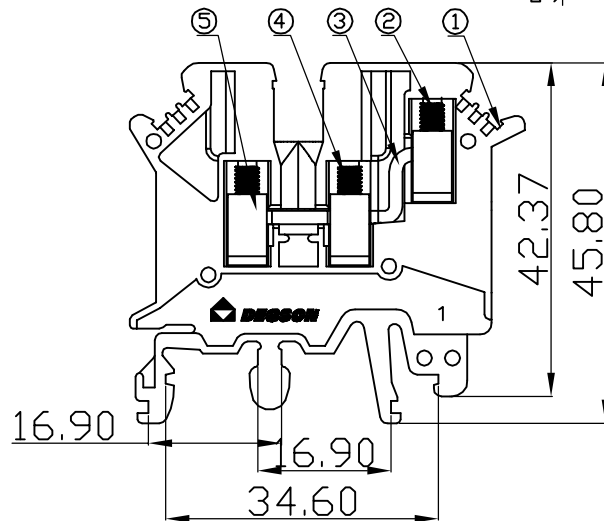
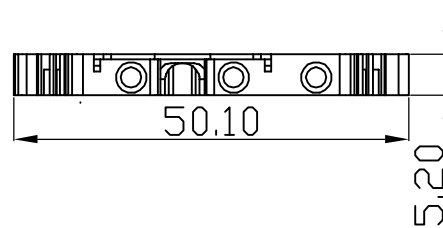
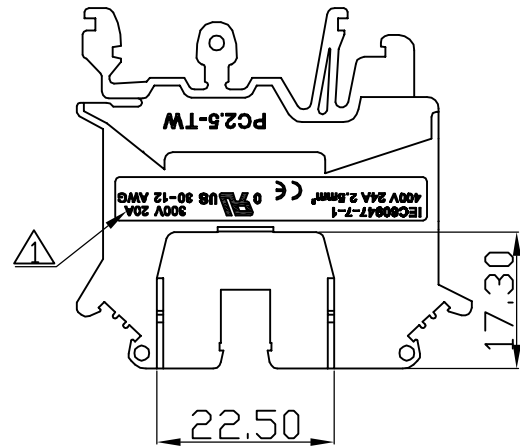


REVISION RECORD				
REV	ECD	DESCRIPTION	DRFT	DATE
△	10-0163	增加UL刻字	Gary Huang	05/24/09"



Notes:

- Rated voltage/current: UL 300V/20A  
IEC 400V/24A
- Operation temperatures: -40°C ~ +105°C
- Withstanding Voltage: AC2500V/1Min
- Insulation Resistance: 5000MΩ / DC1000V
- Wire Range: 24~14AWG, 2.5mm²
- Max. Torque Value: M3, 5.10kgf.cm
- Undimensioned Tolerances:

Pitch range in mm		Nominal dimension range in mm						
	over 6	over 10	over 30	over 60	over 100	over 150	∩	
to 6	to 10	to 24	to 30	to 60	to 100	to 150	◇	
±0.10	±0.15	±0.25	±0.2	±0.3	±0.5	±0.7	±1.0	0.05/10

5	PC2.5-Brass Cage	X000000880(H)	3	Brass	Ni Plated
4	PCDK2.5 M3"-Screw	S000002580(H)	2	Brass	Ni Plated
3	PC2.5-TW Current Carrier	6147B00010(H)	1	Copper	SnCe Plated
2	PC2.5B M3"-Screw	S000001100(H)	1	Brass	Ni Plated

ITEM	NAME OF PART	NO. OF PART	Q'TY	MATERIAL	NOTES
1	PC2.5-TW Housing	6147A0Y01A(H)	1	PA66	UL94V-0
TOLERANCES EXCEPT AS NOTED		DFTD ZYH	DATE 12/22/08'	宁波高正电子有限公司 DEGSON ELECTRONICS CO., LTD NAME PC2.5-TW-01P-1Y-00A(H)	
MM (INCH)		CHKD	DATE		
.0 ±		MFD	DATE		
.00 ±		APPVL	DATE		
.000 ±		MATERIAL :		DRAWING NO. PC2.5-TW-E01	
ANGLES ± 1°		G.E :		/PART NO.	
THIRD ANGLE PROJECTION		FINISH:		DRAWING NO. PC2.5-TW-E01	
		SCALE : 1:1		SHEET 1 OF 1	