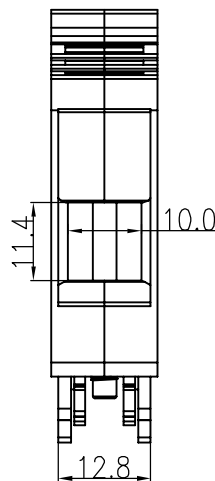
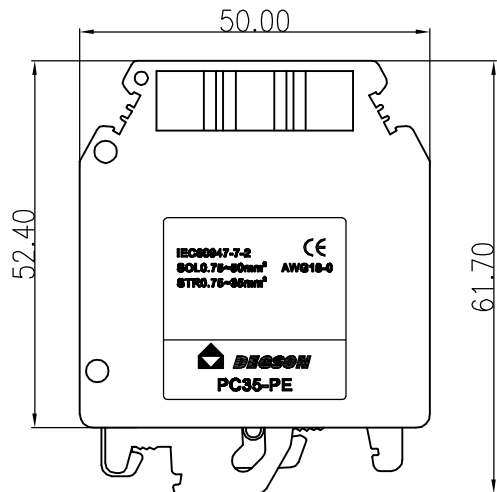
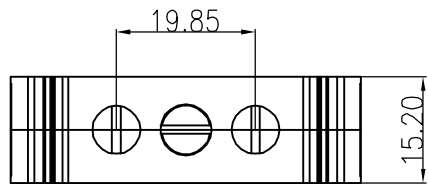
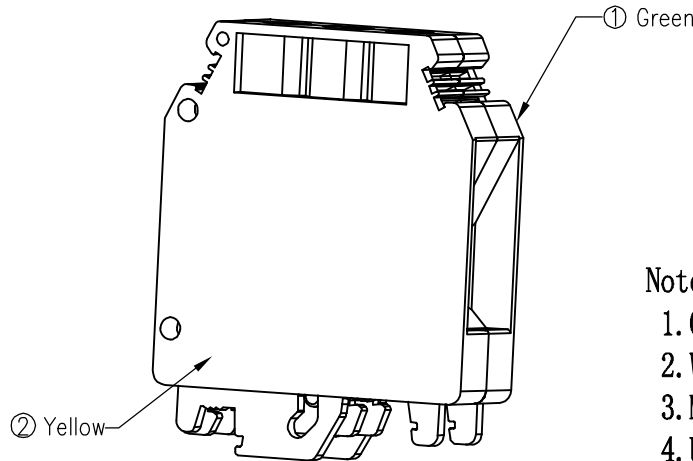
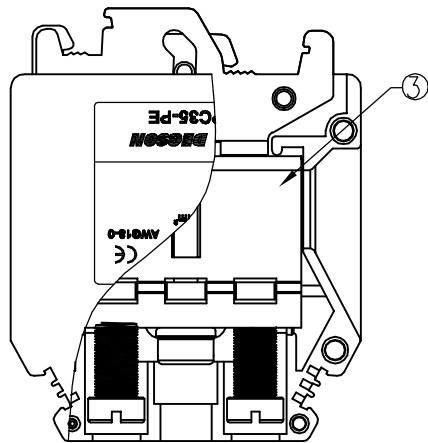


REVISION RECORD					
REV	ECO	DESCRIPTION	DRFT	DATE	
△		料号由6019A0401A 改为6019A0801A	WF	07/26/06	



Notes

1. Operation temperatures:  $-40^{\circ}\text{C} \sim +105^{\circ}\text{C}$
2. Wire Range: 18~0AWG, 35mm<sup>2</sup>
3. Max. Torque Value: M6, 25.5kgf.cm
4. Undimensioned Tolerances:

Pitch range in mm			Nominal dimension range in mm				—
	over 6	over 10		over 6	over 30	over 90	over 200
to 6	to 10	to 24	to 6	to 30	to 90	to 200	to 480
$\pm 0.10$	$\pm 0.15$	$\pm 0.25$	$\pm 0.1$	$\pm 0.2$	$\pm 0.3$	$\pm 0.5$	$\pm 0.7$
							0.05/10

3	PC35-PE Ground contact	6019B00010	1		
2	PC35-PE-01P-18-00A Housing	6019A0801A	1	PA66	UL94V-0
1	PC35-PE-01P-14-00A Housing	6019A0401A	1	PA66	UL94V-0
ITEM	NAME OF PART	NO. OF PART	Q'TY	MATERIAL	NOTES
DETACHED LISTS	MM (INCH)	DFTO LIUM	DATE 01/06/06		
	TOLERANCES EXCEPT AS NOTED	CHKD	DATE		
		MFO	DATE		
	MM .0 ± ± .00 ± ±	APPVL	DATE		
	ANGLES ± 1°	MATERIAL :			
	G.E :				
THIRD ANGLE PROJECTION	FINISH :				
	SCALE :				
DO NOT SCALE DRAWING			SHEET X OF Y		

宁波高正电子有限公司  
DEGSON ELECTRONICS CO., LTD

NAME  
**PC35-PE-01P-1Y-00A**

DRAWING NO. PC35-PE-E01      SIZE A3      REV T1  
/PART NO.      07/26/06