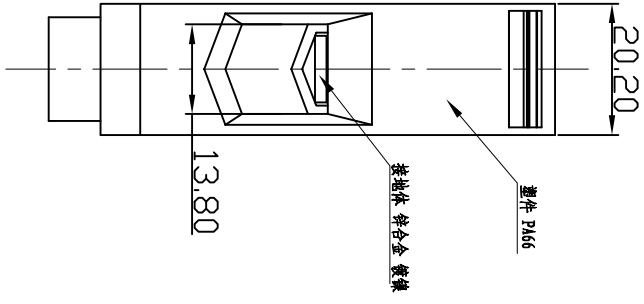
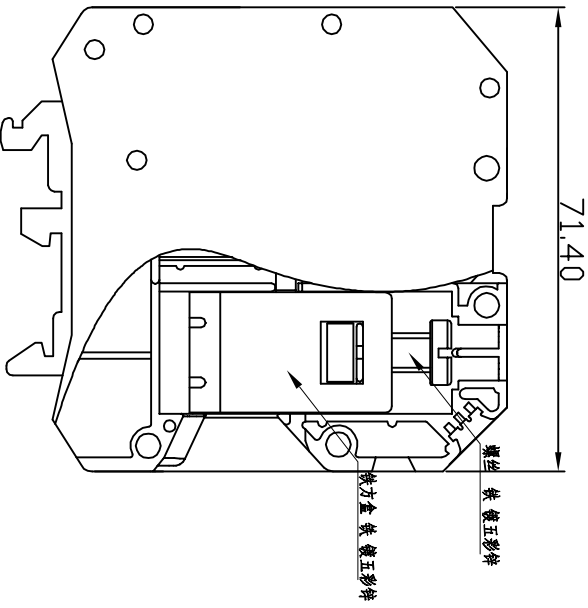
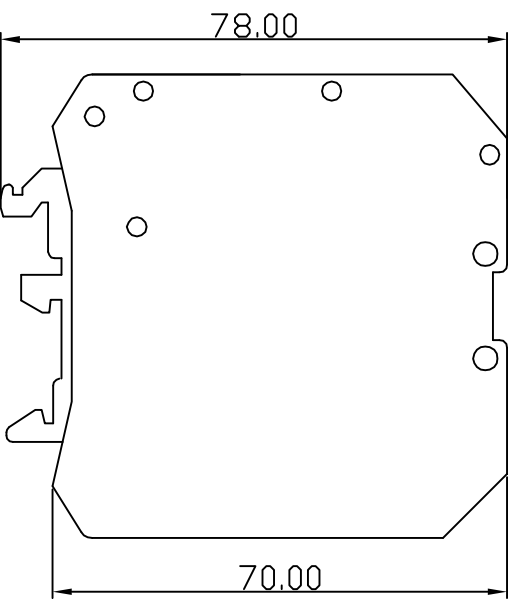
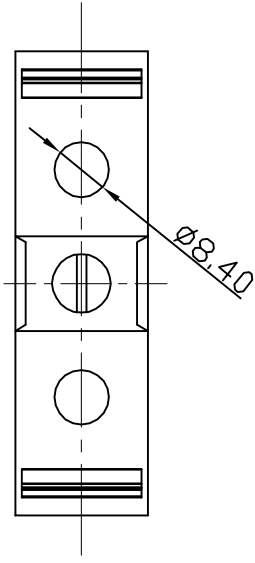


REVISION RECORD			
REV	ECD	DESCRIPTION	DRFT DATE



- Notes:
1. Operation temperatures: -40°C ~ +105°C
  2. Wire Range: 6~0AWG, 50mm<sup>2</sup>
  3. Max. Torque Value: M6, 25. 5kgf. cm
  4. Undimensioned Tolerances:

Pitch range in mm	Nominal dimension range in mm				
over 6	over 10	over 30	over 60	over 100	over 150
to 6	to 10	to 30	to 60	to 100	to 150
to 10	to 24	to 30	to 60	to 100	to 150
±0.10	±0.15	±0.25	±0.2	±0.3	±0.5
					±0.7
					±1.0
					0.005/10
					□
					∩
					—

ITEM	NAME OF PART	NO. OF PART	QTY	MATERIAL	NOTES
DETACHED LISTS					
MM	INCH	DATE	DATE	DATE	DATE
0.1 ±		CHKD	DATE	DATE	DATE
0.00 ±		DATE	DATE	DATE	DATE
0.00 ±		DATE	DATE	DATE	DATE
0.00 ±		DATE	DATE	DATE	DATE
ANGLES ± 1°		DATE	DATE	DATE	DATE
THIRD ANGLE PROJECTION		DATE	DATE	DATE	DATE
SCALE: 1:1		DATE	DATE	DATE	DATE
<b>DEGSON</b> 宁波德正电子有限公司 DEGSON ELECTRONICS CO., LTD NAME: <b>PC50-PE-01P-1Y-00A外购 (不环保)</b> DRAWING NO: PC50-PE-E01 /PART NO. DID NOT SCALE DRAWING SHEET 1 OF 1					