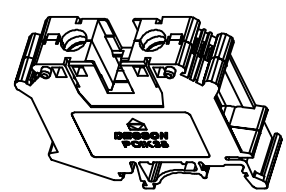
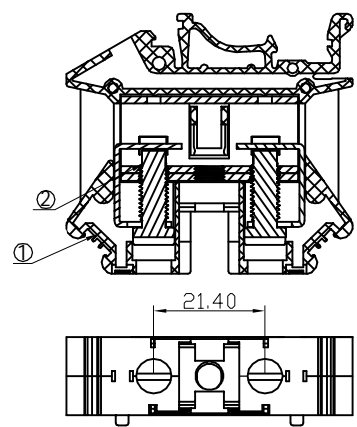
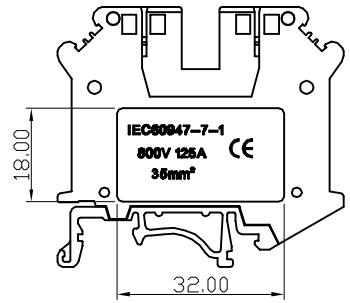
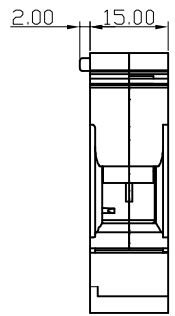
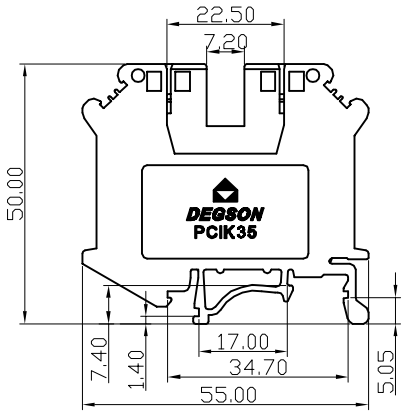
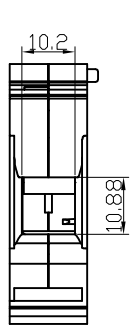


REVISION RECORD				
REV	ECD	DESCRIPTION	DRFT	DATE
△	HWG-110	圖面更新	HWG	11/03/09



- Notes:
1. Rated current/voltage: UL1059 600V/85A  
IEC 800V/125A
  2. Operation temperatures: -40° C~+105° C
  3. Withstanding Voltage: AC3000V/1Min
  4. Insulation Resistance: 5000MΩ/DC1000V
  5. Wire Range: 12~2AWG, 0.2~35mm²
  6. Max. Torque Value: M6. 0, 25. 50kgf. cm
  7. Undimensioned Tolerances:

Pitch range in mm		Nominal dimension range in mm				
	over 6 to 10	over 10 to 24	over 30 to 60	over 60 to 100	over 100 to 150	∩
	±0.10	±0.15	±0.25	±0.2	±0.3	∇
						±1.0



2	PCIK35-HARDWARE	6171B00010(H)	1	Brass	Ni plated
---	-----------------	---------------	---	-------	-----------

1	PCIK35-HOUSING	6171A0Y01A(H)	1	PA66	UL94V-0
ITEM	NAME OF PART	NO. OF PART	Q'TY	MATERIAL	NOTES
DEPARTMENT: HWG DATE: 10/20/08 TOLERANCES EXCEPT AS NOTED: MM (INCH) .0 ± .000 .00 ± .000 .000 ± .000		DATE: 10/20/08 CHKD: HWG MFD: HWG APPVL: HWG		宁波高正电子有限公司 DEGSON ELECTRONICS CO., LTD NAME: PCIK35-01P-1Y-00A(H) DRAWING NO. PCIK35-E01 /PART NO.	
DETACHED LISTS: ANGLES ± 1° THIRD ANGLE PROJECTION		G.E.: FINISH: SCALE: 1:1		SHEET 1 OF 1	