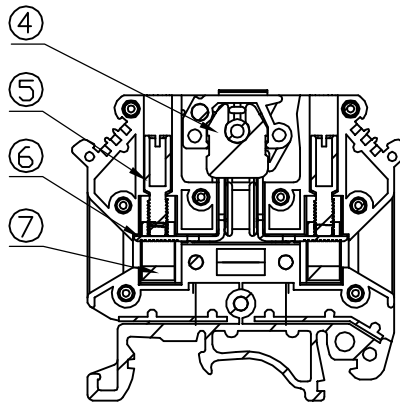
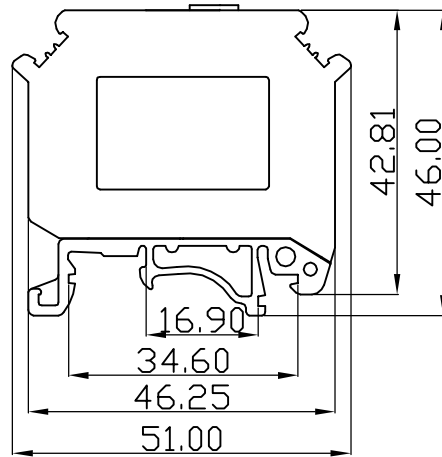
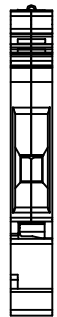
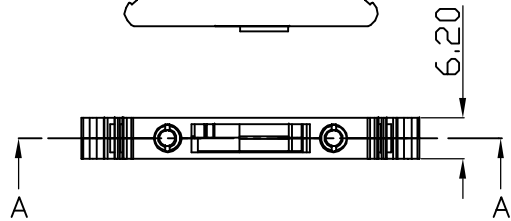
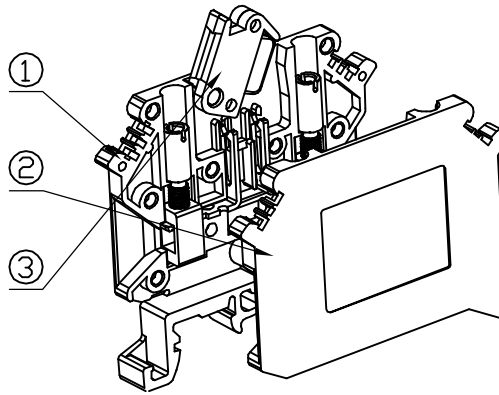
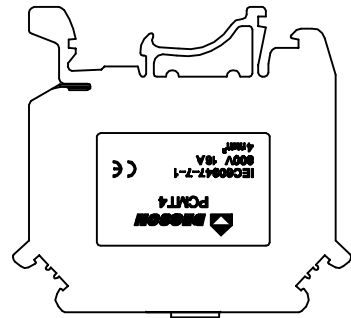


REVISION RECORD				
REV	ECD	DESCRIPTION	DRFT	DATE



SECTION A-A

Notes:

- Rated voltage/current: UL1059 600V/15A
IEC 800V/16A
- Operation temperatures: -40°C ~ +105°C
- Withstand Voltage: AC3000V/1min
- Insulation Resistance: 5000MΩ / DC1000V
- Wire Range: 24~12AWG, 4mm²
- Max. Torque Value: M3, 5.10Kgf.cm
- Undimensioned Tolerances:

Pitch range in mm		Nominal dimension range in mm					—
to 6	over 6 to 10	over 10 to 24	to 30	over 30 to 60	over 60 to 100	over 100 to 150	∩
±0.10	±0.15	±0.25	±0.2	±0.3	±0.5	±0.7	±1
							0.05/10

7	PCDK4-Brass cage	X000001840(H)	2	Brass	Ni Plated
6	PCMT4-Clamp	6146B00010(H)	2	Phosphor Bronze	Ni Plated
5	PCMT4 M3"-Screw	S000002860(H)	2	Brass	Ni Plated
4	PCMT4-Kinfe switch	6146B00020(H)	1	Brass	SnCe Plated
3	PCMT4-Kinfe box	6146D1501A(H)	1	PA66	UL94V-0
2	PCMT4-Housing two	6146A0Y01C(H)	1	PA66	UL94V-0

ITEM	NAME OF PART	NO. OF PART	Q'TY	MATERIAL	NOTES
1	PCMT4-Housing one	6146A0Y01A(H)	1	PA66	UL94V-0
TOLERANCES EXCEPT AS NOTED		DFTD ZYH	DATE	06/13/08'	
MM (INCH)		CHKD	DATE		
.0 ±		MFD	DATE		
.00 ±		APPVL	DATE		
.000 ±					
ANGLES ± 1°		G.E :			
THIRD ANGLE PROJECTION		FINISH:		DRAWING NO. PCMT4-E01	
		SCALE :		/PART NO.	
DO NOT SCALE DRAWING				SHEET 1	OF 1

DEGSON® 宁波高正电子有限公司
DEGSON ELECTRONICS CO., LTD

NAME PCMT4-01P-1Y-00A(H)

SIZE A4
REV TO 01/12/09