

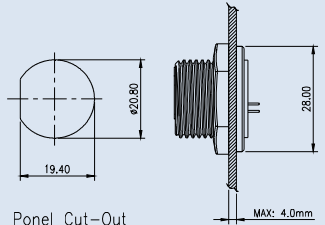
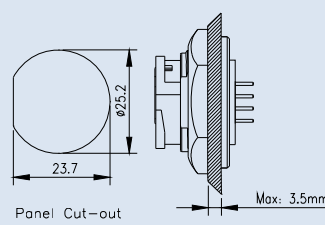
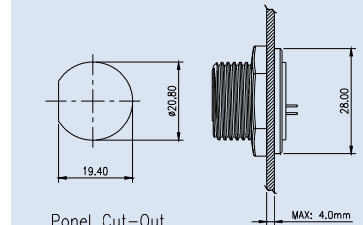


RJ45 Series, Panel Front Mount

Description	Panel Front Mount, Screw Type, PCB	Panel Front Mount, Lock Bayonet Type, PCB	Panel Front Mount, Screw(Metal) Type, PCB
Figure			

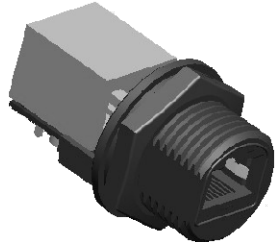

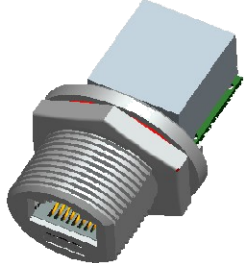
Drawing	 <p>Panel Cut-Out</p>	 <p>Panel Cut-out</p>	 <p>Panel Cut-Out</p>
---------	---	--	---

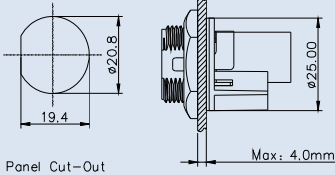
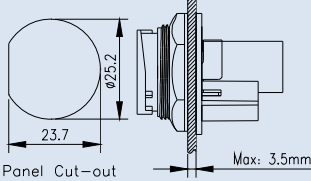
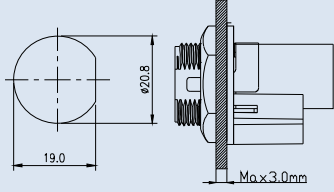
Part Number	Contacts	Part Number	Contacts	Part Number	Contacts	Part Number
	8	33000000-07	8	33000000-08	8	33000000-09

Specifications

Number of Contacts	8		
Wire Gauge	24AWG		
Panel Thickness	Max. 4.0mm	Max. 3.5mm	Max. 4.0mm
Environmental Protection	IP67	IP67	IP67
Mechanical Life	500 mating cycles		
Operating Temperature	- 40°C - 85°C		

RJ45 Series, Panel Front Mount

Description	Panel Front Mount, 180° Screw Type, Jack	Panel Front Mount, 180° Lock Bayonet Type, Jack	Panel Front Mount, 180° Screw (Metal) Type, Jack
Figure			

Drawing	 <p>Panel Cut-Out</p> <p>Max: 4.0mm</p>	 <p>Panel Cut-out</p> <p>Max: 3.5mm</p>	 <p>Panel Cut-Out</p> <p>Max: 3.0mm</p>
---------	---	--	---

Part Number	Contacts	Part Number	Contacts	Part Number	Contacts	Part Number
	8	33000000-10	8	33000000-11	8	33000000-12

Specifications

Number of Contacts	8					
Wire Gauge	24AWG					
Panel Thickness	Max. 4.0mm		Max. 3.5mm		Max. 4.0mm	
Environmental Protection	IP67		IP67		IP67	
Mechanical Life	500 mating cycles					
Operating Temperature	- 40°C - 85°C					