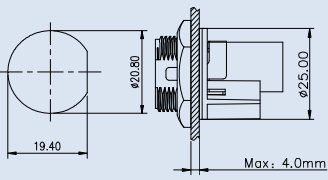
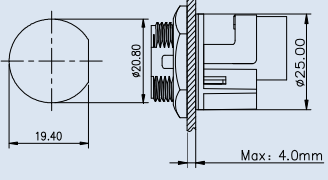
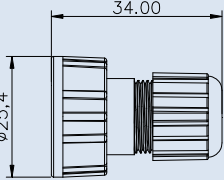


RJ45 Series, Panel Front Mount

Description	Panel Front Mount, 180° Screw Type, Jack	Panel Front Mount, 90° Screw Type, Jack	RJ45 Plug Screw Type, Field Installable
Figure			

Drawing	 <p>Panel Cut-Out</p>	 <p>Panel Cut-Out</p>	
---------	---	--	--

Part Number	Contacts	Part Number	Contacts	Part Number	Contacts	Part Number
	8	33000000-01	8	33000000-02	0	33000000-03

Specifications

Number of Contacts	8		0
Wire Gauge	24AWG		
Panel Thickness	Max. 4.0mm	Max. 4.0mm	Cable Range: 4.0mm - 7.0mm
Environmental Protection	IP67		
Mechanical Life	500 mating cycles		
Operating Temperature	- 40°C - 85°C		