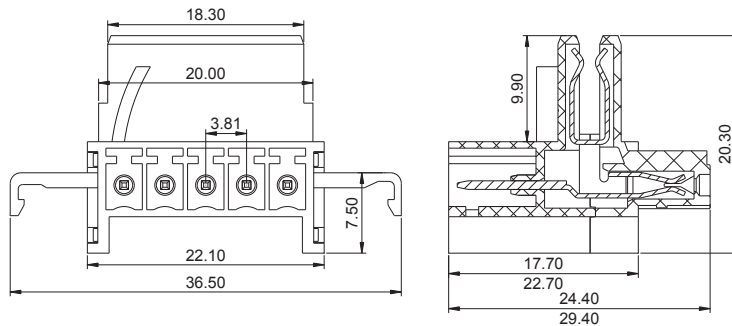
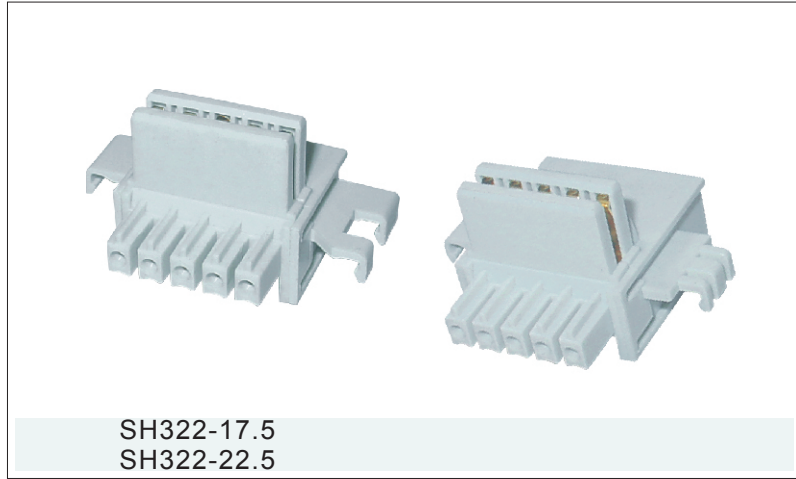




CIXI SANHE APPLIANCE & PLASTICS CO., LTD.



Electrical Specifications

Reference standard

UL

IEC

Rated voltage

300V

250V

7A

7A

Withstanding voltage

AC2000V/Min

Operating temperature

-40°C~+105°C

Span

3.81mm

Number of poles

5P

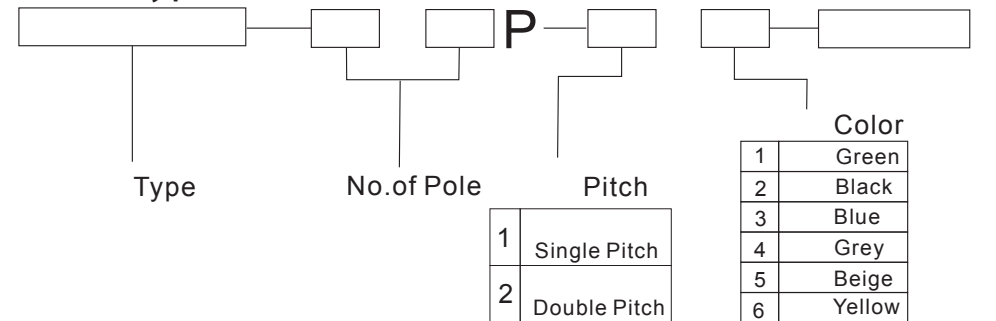
Plastic parts

Pa66 UL94V-0

Clamp

beryllium copper, gold-plating

Order type :



MM
(INCH)

CIXI SANHE APPLIANCE & PLASTICS CO., LTD.

THIRD ANGLE PROJECTION

NAME

SH322-17.5/22.5