

Connector

KLS1-178-57B Centronic Connector Series

Material:

Contacts: Brass or Phosphor Bronze
 Housing: PBT (UL 94V-0)
 Shell: Cold Roller Steel

Specification:

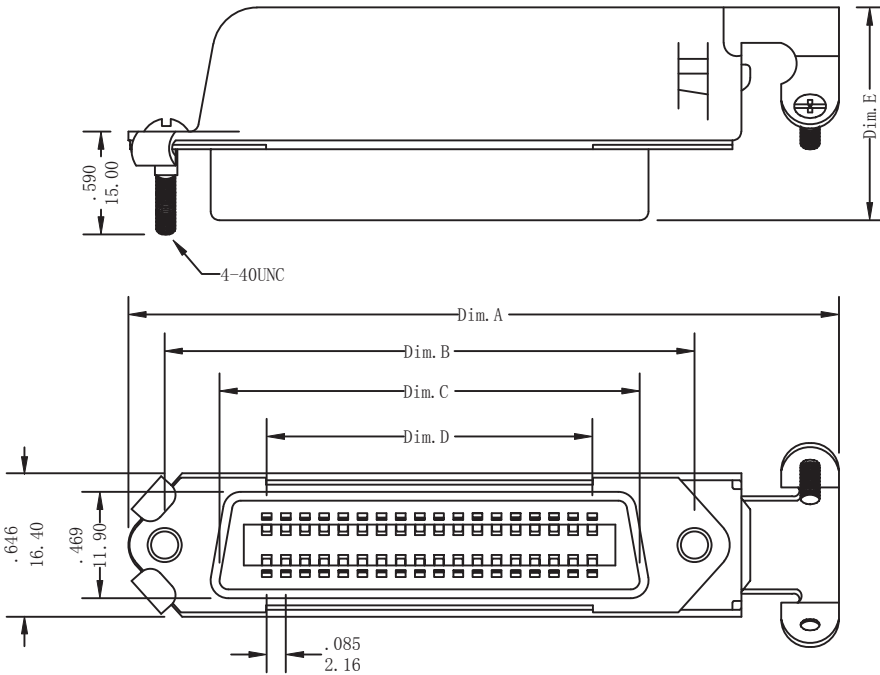
1. Current rating: 5 A Max.
2. Dielectric withstanding voltage: 1250 V (ac) for 1 min.
3. Contact resistance: 30 mΩ Max.
4. Insulation resistance: 1000 MΩ Min.
5. Total mating force: 9.0 Kgf Max.
6. Total unmating force: 5.0 Kgf Min.
7. Temperature range: -55 °C ~ 105 °C
8. Applicable wire: # 24AWG ~ # 28AWG



MECHANICAL CHARACTERISTICS:

Contact Resistance Force: 322 g. Maximum
 Contact Separation Force: 70 g. Minimum

Female Type



Dim.	Circuits	
	36	50
Dim. A	0.20	90.10
Dim. B	0.10	59.70
Dim. C	0.10	49.35
Dim. D	0.13	36.72
Dim. E	0.20	27.30

ORDER INFORMATION

Product NO.: KLS1-178-57B-XX - F -L

Pos. NO. _____
 001=001 pos. _____
 Contact Number of Row _____
 178-57A=Plastic Material Centronic connector _____
 178-57B=Metal Material Centronic connector _____
 Number of Contacts _____

L=Blue B=Black
 M=Male F=Female

Connector

KLS1-178-57B Centronic Connector Series

Material:

Contacts: Brass or Phosphor Bronze
 Housing: PBT (UL 94V-0)
 Shell: Cold Roller Steel

Specification:

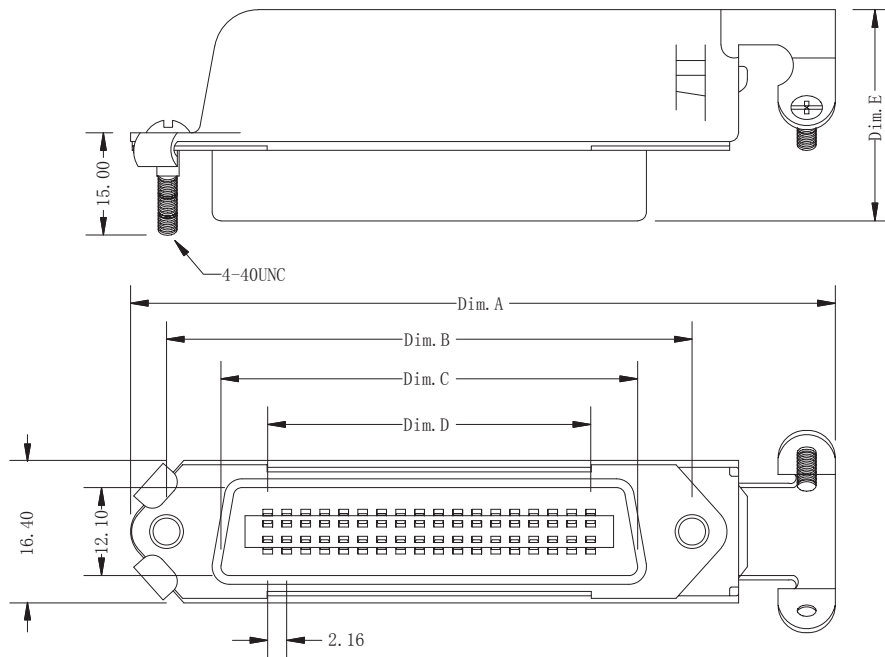
1. Current rating: 5 A Max.
2. Dielectric withstanding voltage: 1250 V (ac) for 1 min.
3. Contact resistance: 30 mΩ Max.
4. Insulation resistance: 1000 MΩ Min.
5. Total mating force: 9.0 Kgf Max.
6. Total unmating force: 5.0 Kgf Min.
7. Temperature range: -55 °C ~ 105 °C
8. Applicable wire: # 24AWG ~ # 28AWG



MECHANICAL CHARACTERISTICS:

Contact Resistance Force: 322 g. Maximum
 Contact Separation Force: 70 g. Minimum

Male Type



Dim.	Circuits	
	36	50
Dim. A	0.20	90.10
Dim. B	0.10	59.70
Dim. C	0.10	49.35
Dim. D	0.13	36.72
Dim. E	0.20	27.30

ORDER INFORMATION

Product NO.: KLS1-178-57B-XX -M -L

Pos. NO. _____
 001=001 pos. _____
 Contact Number of Row _____
 178-57A=Plastic Material Centronic connector _____
 178-57B=Metal Material Centronic connector _____
 Number of Contacts _____

L=Blue B=Black
 M=Male F=Female