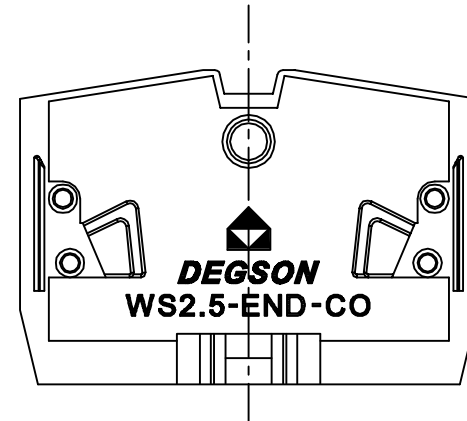
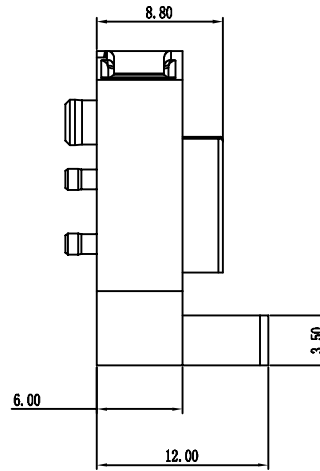



Notes:

- Rated voltage/current: UL1059 600V/15A
IEC 800V/24A
- Operation temperatures: -40°C ~ +105°C
- Withstanding Voltage: AC3500V/1min
- Insulation Resistance: 1000MΩ /DC500V
- Wire Range: 28~12AWG, 2.5mm²
- Unidimensional Tolerances:

Pitch range in mm		Nominal dimension range in mm						
to	over	over	to	over	over	over	over	
6	6 to 10	10 to 24	30	30 to 60	60 to 100	100 to 150	150	∅
±0.10	±0.15	±0.25	±0.2	±0.3	±0.5	±0.7	±1	0.05/10



REVISION RECORD				
REV	ECO	DESCRIPTION	DRFT	DATE

WS2.5-END-CO-Housing 61A0Y01A(H) 1		PA66	UL94V-
ITEM	NAME OF PART	NO. OF PART	Q'TY MATERIAL NOTES
STANDARD LIST	DEPTO LYK	DATE 10/21/07	 宁波高正电子有限公司 DEGSON ELECTRONICS CO., LTD NAME WS2.5-END-CO-01P-1Y-00A(H) DRAWING NO. WS2.5-END-CO-E01 SIZE A3 REV TO 06/26/08 /PART NO.
	TOLERANCES EXCEPT AS NOTED	CHKD DATE	
	MATERIAL :	DATE	
	APPLY	DATE	
	MATERIAL :		
ANGLES ± 1°	G. B :		
FINISH :	SCALE : 1:1	DO NOT SCALE DRAWING	SHEET 1 OF 1

3	DG242-Shrapnel	X000000990(H)2	Stainless steel
2	WS2.5-MID-CO-Current Connector	6160B00010(H)1	Copper Tin Plated