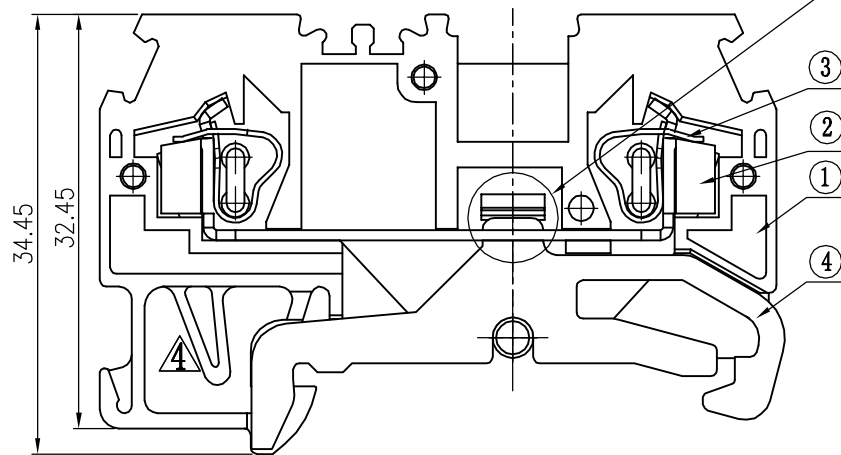
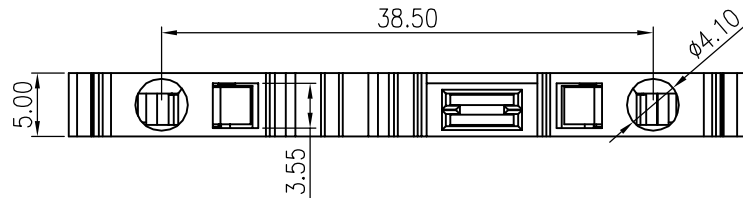
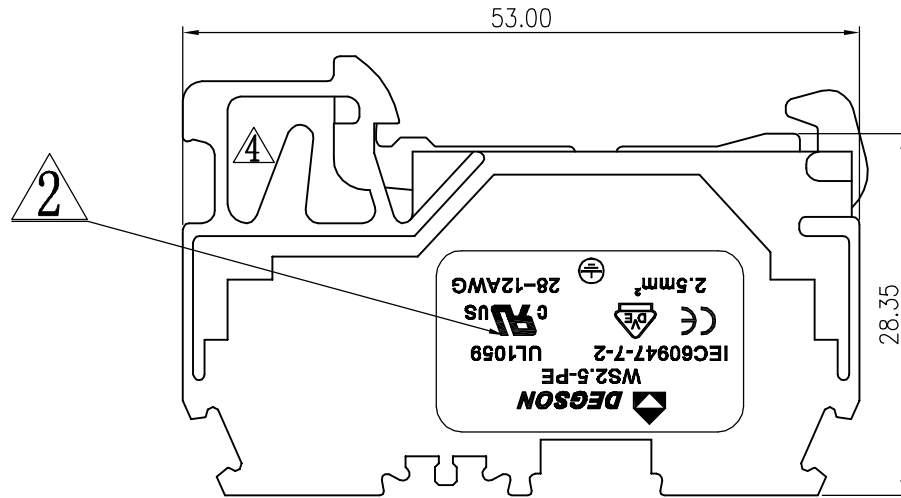


REVISION RECORD					
REV	ECO	DESCRIPTION	DRFT	DATE	
△		品名、斜号增加环保标示“(0)”	LJH	12/11/07*	
△		增加UL、VDE刻字	LJH	03/20/08*	
△		修改品名料号中“Y”为“C”	LJH	04/06/09*	
△		增加限位结构	CW	05/18/09*	
△	10-0140	取消铆接工艺,直接焊接	Gary Huang	05/21/10*	



Notes:

1. Operation temperatures:  $-40^{\circ}\text{C} \sim +105^{\circ}\text{C}$
2. Withstanding Voltage: AC3000V/1Min
3. Insulation Resistance:  $5000\text{M}\Omega / 1000\text{V}$
4. Wire Range: 28~12AWG, 2.5mm<sup>2</sup>
5. Undimensioned Tolerances:

Pitch range in mm		Nominal dimension range in mm						—
	over 6	over 10		over 30	over 60	over 100	over 150	∩
to 6	to 10	to 24	to 30	to 60	to 100	to 150		∇
±0.10	±0.15	±0.25	±0.2	±0.3	±0.5	±0.7	±1.0	0.05/10

将载流体与接地体用锡焊接. △5

ITEM	NAME OF PART	NO. OF PART	Q'TY	MATERIAL	NOTES
4	WS2.5-PE-Ground Pin	6032B00010 (H)	1	Copper	SnCe
3	DG242-5.0-Shrapnel	X00000990 (H)	2	Stainless steel	
2	WS2.5-Current Carrier	6027B00010 (H)	1	Copper	SnCe
1	WS2.5-PE-Housing	6032A0C01A (H) △	1	PA66	UL94V-0

DEPARTED LISTS TOLERANCES EXCEPT AS NOTED .0 ± .000 ± ANGLES ± 1° THIRD ANGLE PROJECTION	DFTD LYK CHD MFO APPVL MATERIAL : G. B : FINISH : SCALE : 1:1	DATE 07/15/07* DATE DATE DATE DATE	宁波高正电子有限公司 <b>DEGSON</b> ® DEGSON ELECTRONICS CO., LTD NAME (黄绿混色) △ <b>WS2.5-PE-01P-1C-00A (H)</b>	
	DRAWING NO. WS2.5-PE-E01		SIZE A3	REV 15
	/PART NO.		05/21/10*	
	DO NOT SCALE DRAWING		SHEET 1 OF 1	