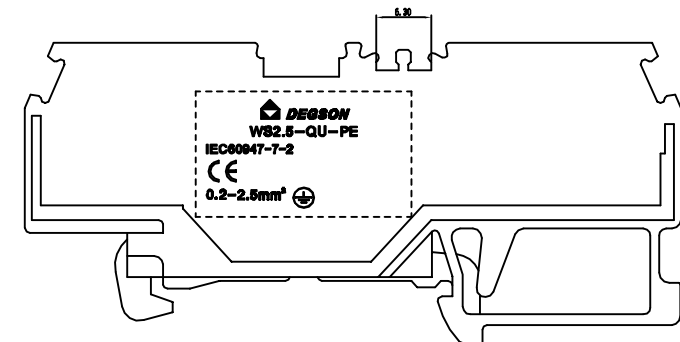
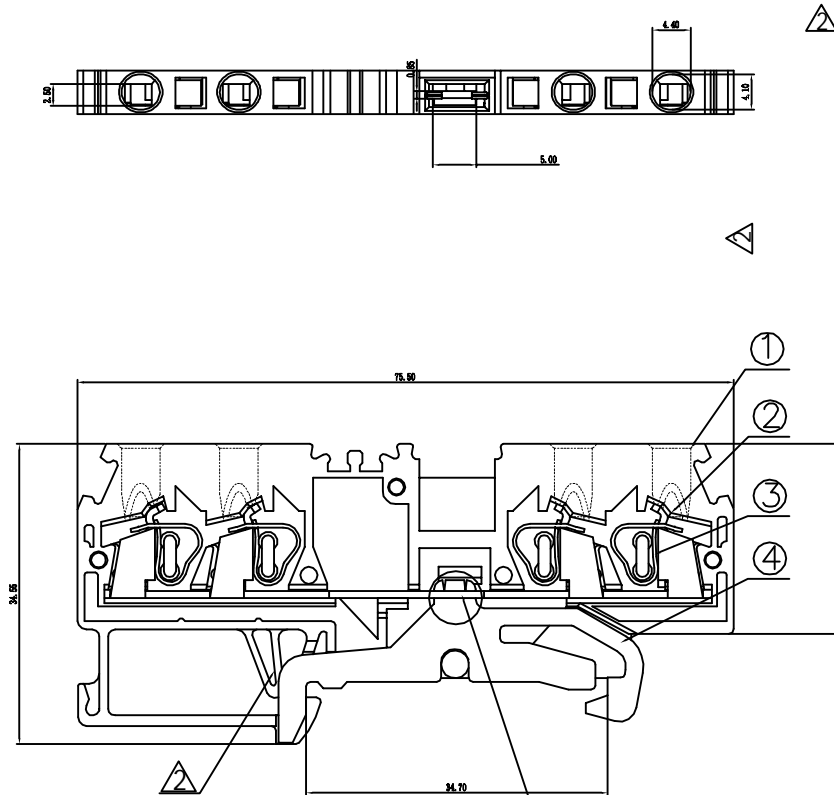


REVISION RECORD				
REV	ECO	DESCRIPTION	DRFT	DATE
△		Drawing emend	HXG	11/04/0
△		结构修改	HXG	04/14/0

Notes:

- Rated voltage/current: UL1059 15A  
IEC 24A
- Operation temperatures: -40°C ~ +105°C
- Withstanding Voltage: AC3500V/1Min
- Insulation Resistance: 1000MΩ/DC500V
- Wire Range: 28~12AWG, 2.5mm<sup>2</sup>
- Undimensioned Tolerances:

Pitch range in mm			Nominal dimension range in mm					—	
	over 6 to 6	over 10 to 24	over 30 to 30	over 60 to 60	over 100 to 100	over 150 to 150	∩		
	±0.10	±0.15	±0.25	±0.2	±0.3	±0.5	±0.7	±1	0.05/10



先将载流体与接地体铆接在一起, 后在铆接处用锡焊接.

4	WS2.5-PE-Ground	6032B00010(H)	Copper	SnCe plated
3	WS2.5-QU-Current Carrier	6040B00010(H)	Copper	SnCe plated
2	DG242-5.0-Shrapnel	X000000990(H)	Stainless steel	
1	WS2.5-QU-PE-Housing	6043A0C01A(H)	PA66	UL94V-

ITEM	NAME OF PART	NO. OF PART	Q'TY	MATERIAL	NOTES
DEGSO WS2.5-QU-PE-01P-1C-00A(H) DRAWING NO. WS2.5-QU-PE-E01 /PART NO.		DEPTO HXG DATE 10/04/08 CHED DATE MPO DATE APPVL DATE		宁波高正电子有限公司 DEGSO ELECTRONICS CO., LTD	
TOLERANCES EXCEPT AS NOTED MM .0 ± .00 ± .000 ±		G. B : FINISH : SCALE : 1:1		NAME WS2.5-QU-PE-01P-1C-00A(H) SIZE A3 REV T2 04/14/08	
ANGLES ± 1° THIRD ANGLE PROJECTION		DO NOT SCALE DRAWING		SHEET 1 OF 1	