



Electrochemical Ozone Detection Module

(Model: ZE27-O3)

User's Manual

Version: 1.2

Valid from: 2020.04.29

Zhengzhou Winsen Electronics Technology Co., Ltd

Statement

This manual's copyright belongs to Zhengzhou Winsen Electronics Technology Co., LTD. Without the written permission, any part of this manual shall not be copied, translated, stored in database or retrieval system, also can't spread through electronic, copying, record ways.

Thanks for purchasing our product. To make you use our sensors better and reduce the faults caused by misuse, please read the manual carefully and operate it correctly in accordance with the instructions. If users disobey the terms or remove, disassemble, change the components inside of the sensor, we shall not be responsible for the loss.

The specific such as color, appearance, sizes &etc., please in kind prevail.

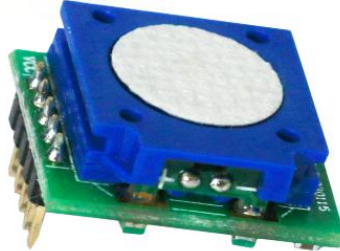
We are devoting ourselves to products development and technical innovation, so we reserve the right to improve the products without notice. Please confirm it is the valid version before using this manual. At the same time, users' comments on optimized using way are welcome.

Please keep the manual properly, to get help if you have questions during the usage in the future.

Zhengzhou Winsen Electronics Technology CO., LTD.

Electrochemical Ozone Detection Module ZE27-O3

Product Description



ZE27-O3 is a general-purpose and miniaturization electrochemical ozone detection module. It utilizes electrochemical principle to detect ozone in air which makes the module with high selectivity and stability. It is a combination of mature electrochemical detection principle and sophisticated circuit design.

Features

- *High sensitivity & resolution& Good stability
- *Extremely low power consumption
- *UART output way
- * High stability, excellent anti-interference ability, temperature compensation, excellent linear output

Application

Portable detector, air-quality monitor device, Ozone disinfection cabinet, smart home device &etc.

Parameter

Model No.	ZE27-O3
Target Gas	O3
Interference Gas	NO2, CL2 &etc.
Output Data	UART Output (3V-TTL)
Working Voltage	3.7V~5.5V(No reverse voltage protection)
Warm up time	≤3min
Response time	≤90s
Resume time	≤90s
Detection Range	0~10ppm
Resolution	0.01ppm
Operating Temp.	-20℃~50℃
Operating Hum.	15%RH-90%RH (No condensation)
Storage temp.	-20℃~50℃
Working life	2 years (in air)

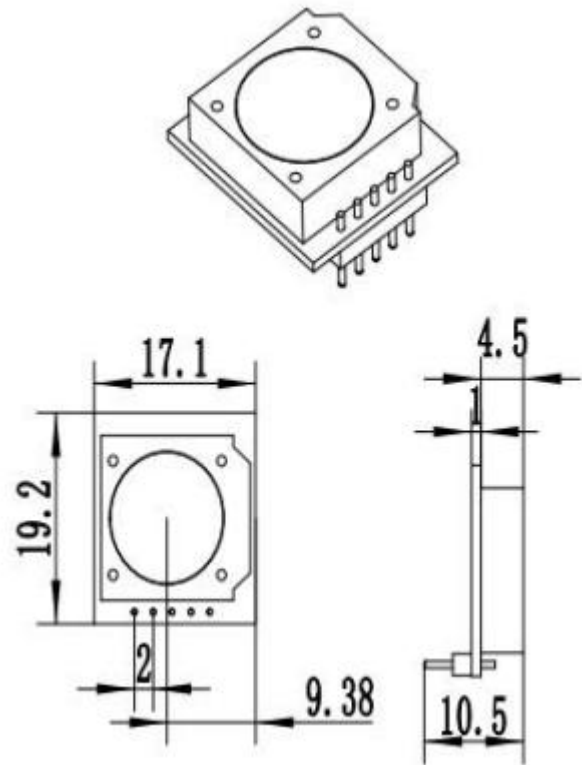


Fig. 1: structure

Pin definition

Table 2

PIN1	Vin (input 3.7-5.5V)	<p>Fig.2: Pin definition</p>
PIN2	UART (TXD) 0~3.0V Data output	
PIN3	UART (RXD) 0~3.0V Data input	
PIN4	GND	
PIN5	Reserved	

Communication Protocol

1 General Settings

Table 3

Baud Rate	9600
Data Bytes	8 bytes
Stop Byte	1 byte
check byte	Null

2 Communication Commands

There are two communication type: active upload type and Question & Answer type. The default type for this module is active upload and it sends gas concentration every other second. If it is Q&A mode and you want to switch it to active upload mode again, please send following command:

Command to switch Q&A mode to active upload mode: Table 4

Byte0	Byte1	Byte2	Byte3	Byte4	Byte5	Byte6	Byte7	Byte8
Start Byte	Reserved	Switch command	Active upload	Reserved	Reserved	Reserved	Reserved	Checksum
0xFF	0x01	0x78	0x40	0x00	0x00	0x00	0x00	0x47

Data of active upload show as follow:

Table 5

Byte0	Byte1	Byte2	Byte3	Byte4	Byte5	Byte6	Byte7	Byte8
Start Byte	Gas name	unit	Number of Digital 0	Concentration High Byte	Concentration Low Byte	Full scale High Byte	Full scale Low Byte	Checksum
0xFF	O3=0x2A	ppb=0x04	0x00	0x00	0x25	0x27	0x10	0x75

NOTE: Gas concentration(PPB)=(Concentration high byte*256+Concentration low byte). PPM=PPB/1000. When users need Q&A mode, send the following command to turn off active upload mode, and then send command to read concentration. The command to turn off active upload mode as follow:

Command to turn off active upload mode:

Table 6

Byte0	Byte1	Byte2	Byte3	Byte4	Byte5	Byte6	Byte7	Byte8
Start Byte	Reserved	Switch command	Q&A mode	Reserved	Reserved	Reserved	Reserved	Checksum
0xFF	0x01	0x78	0x41	0x00	0x00	0x00	0x00	0x46

Read concentration under Q&A mode:

Table 7

Byte0	Byte1	Byte2	Byte3	Byte4	Byte5	Byte6	Byte7	Byte8
Start Byte	Reserved	Command	Reserved	Reserved	Reserved	Reserved	Reserved	Checksum
0xFF	0x01	0x86	0x00	0x00	0x00	0x00	0x00	0x79

Return gas concentration as follow:

Table 8

Byte0	Byte1	Byte2	Byte3	Byte4	Byte5	Byte6	Byte7	Byte8
Start Byte	Command	Concentration High Byte(ppb)	Concentration Low Byte (ppb)	Reserved	Reserved	Concentration High Byte (ppb)	Concentration Low Byte (ppb)	Checksum
0xFF	0x86	0x00	0x20	0x00	0x00	0x00	0x20	0x30

NOTE: Gas concentration(PPB)=(Concentration high byte*256+Concentration low byte).

If users would like to change the unit into PPM: PPM=PPB/1000.

3 Checksum calculation method

Checksum = (Negative (Byte1+Byte2+Byte3+Byte4+Byte5+Byte6+Byte7)) +1

```

unsigned char FucCheckSum(unsigned char *i,unsigned char ln)
{
    unsigned char j,tempq=0;
    i+=1;
    for(j=0;j<(ln-2);j++)
    {
        tempq+=*i;
        i++;
    }
    tempq=(~tempq)+1;
    return(tempq);
}

```

Cautions

- 1.Prohibit plug and pull the sensor on the module.
2. Prohibit change and shift the installation of electronic components.
3. Do not use this module for systems involving personal safety.
4. Please do not use the modules in strong air convection environment.
- 5.Sensor shall avoid organic solvent (including silicone and other adhesives), coatings, medicine, oil and high concentration gases.
6. The module cannot be completely encapsulated with resin material, nor can it be immersed in an oxygen-free environment, otherwise the performance of the sensor will be damaged.
7. The module can not be used in the environment containing corrosive gas for long time because corrosive gas will damage the sensor.
8. The module should not withstand excessive shock or vibration.
9. The module needs to be warmed up for 24-48 hours at the first power-on, so that the module is fully stabilized and tested normally.
- 10.The white waterproof and breathable membrane of the sensor on the module is forbidden to be moved away and damaged by man-made.
11. Do not leave the module in a high concentration of organic gas for long time which will cause the sensor zero point to drift and recover slowly.

12. It is forbidden to encapsulate modules with hot melt adhesive or sealant with curing temperature higher than 80 °C.
13. Prohibit long-term storage and use in high concentration alkaline gas

Zhengzhou Winsen Electronics Technology Co., Ltd

Add: No.299, Jinsuo Road, National Hi-Tech Zone,
Zhengzhou 450001 China

Tel: +86-371-67169097/67169670

Fax: +86-371-60932988

E-mail: sales@winsensor.com

Website: www.winsen-sensor.com